

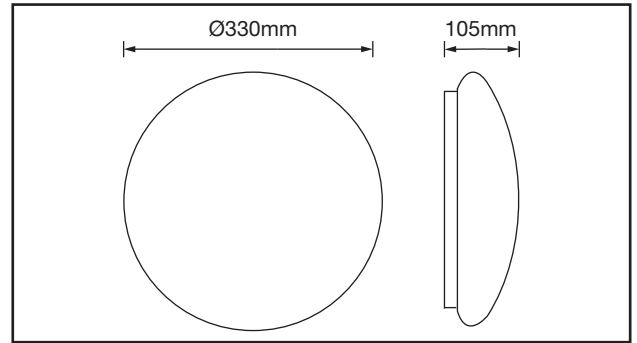
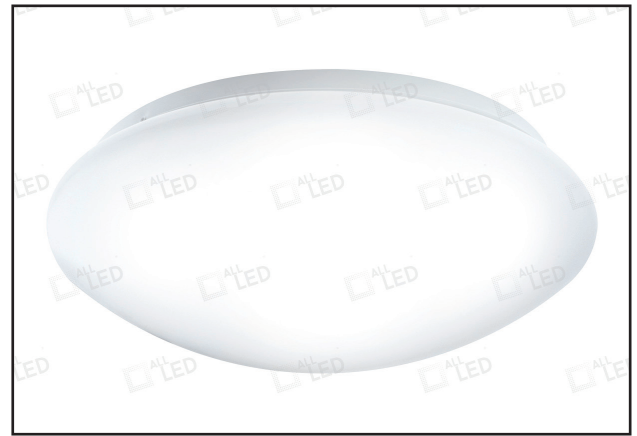
ABH330/CCT

16W IP44 CCT Selectable LED Bulkhead



PRODUCT FEATURES

- CCT Selectable (3000K/4000K/6000K)
- IP44 (Suitable For Bathroom Use)
- Push Terminals With Loop Terminals
- Large Cable Entry
- Wall Or Ceiling Mountable
- Twist And Lock Diffuser
- Emergency And Microwave Sensor Versions Available:
ABH330/CCT/EM, ABH330/CCT/MS, ABH330/CCT/MS/EM



Standard
ABH330/CCT

Microwave Version
ABH330/CCT/MS

Emergency Version
ABH330/CCT/EM

Microwave + Emergency Version
ABH330/CCT/MS/EM

TECHNICAL SPECIFICATIONS

PRODUCT CODE	ABH330/CCT		
Luminous Flux	1600lm	1900lm	1660lm
Useful Luminous Flux	1600lm	1900lm	1660lm
Colour Temperature	3000K	4000K	6000K
Peak Intensity	402cd	480cd	416cd
CRI		>80	
SDCM		<6	
Beam Angle		120°	
Operating Voltage		220-240VAC	
Operating Current (A max)		0.131A	
Max Output Power		16W	
Power Factor		0.5	
No Load Power		≤0.5W	
Efficiency %		94%	
Class		I	
Body Material		Polymer	
Frame Colour		White	
Switching Cycles		15,000	
Ingress Protection		IP44	
Ambient Operating Temperature		-20°C ~ 45°C	
Input Frequency		50/60Hz	
Guarantee		2 Years	
Lifetime (L70 B50)		20,000 Hrs	
Survival Factor		0.9	
Displacement Factor		≥0.7	
Flicker Metric (PstLM)		≤1.0	
Stroboscopic Effect Metric (SVM)		≤0.4	

