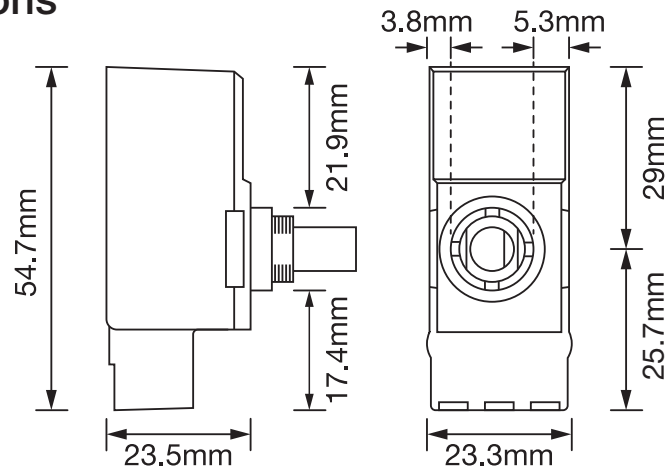


Returns & Faulty Items

- If any problem is encountered during or after installation, please call the All LED technical department to get the problem resolved as soon as possible.
- Please do not just return the item to the outlet you purchased it from, as you are only entitled to a replacement or refund after the unit has undergone testing and the unit has been confirmed as having a manufacturing defect/fault. Your statutory rights are not affected.
- The manufacturer will not be deemed liable or held responsible for any damages caused by faults or manufacturing defects that may be present in any of its products or the misuse or incorrect installation of this device. Please refer to our troubleshooting guide for further information.
- All goods are supplied under the terms and conditions of All LED LTD, a copy of which may be obtained upon written request.

Dimensions



ALL LED LTD
42 Sedgwick Road,
Luton, LU4 9DT

www.allledgroup.com
sales@allledgroup.com
Tel: +44 (0)208 841 9000

Environmental Protection
Waste electrical products should
not be disposed of with household
waste. Please recycle where
facilities exist. Check with your
Local Authority or retailer for
recycling advice

The manufacturer will not be deemed liable or held responsible for any damages caused by faults or manufacturing defects that may be present in any of its products or the misuse or incorrect installation of this device
Your statutory rights are not affected.



INSTALLATION GUIDE ADIM/150W

⚠ ENSURE POWER SUPPLY IS OFF WHEN HANDLING ANY ELECTRICAL EQUIPMENT.

- This product may need to be installed by a qualified electrical installer.
- Please read this guide in its entirety to fully understand the products before attempting any install.
- All electrical work should be completed in accordance with the latest IET regulations, and/or any other relevant rules, regulations or laws of the country in which it is being installed.
- The item must be installed in isolation from any insulating material and is adequately ventilated to prevent premature failure.
- Ensure power supply is isolated prior to installation, maintenance or performing any other form of electrical work.
- In the event of incorrect or improper function with specific regard to any of ALL LED's products and contact ALL LED for further advice.

Technical Specifications

Product Code	ADIM/150W
Operating Voltage	220-240V
Operating Current (A Max)	0.7A
Output Power	5W - 150W LED
PF	≥0.83
No Load Power (W)	0W
Class	II
Body Material	Polycarbonate
Ingress Protection	IP20
Ambient Operating Temperature (°C)	-10°C~40°C
Input Frequency (Hz)	50Hz
Guarantee	2 Years
Dimming Mode (Trailing or Leading)	Fully Programmable - Leading Edge And Trailing Edge (2 Modes)



Instructions

The default setting on this unit is **Trailing edge**.

To change the drive mode, please follow instructions below.

1. Switch the dimmer on and rotate to the maximum brightness (Turn clockwise)
2. Push the dimmer (from the on position) knob 10 times (5 x power cycles) to save your setting. If successful, the lights will flash **Once** (Trailing edge) and **Twice** (Leading edge)

To clarify this is from the ON position >OFF>ON>OFF>ON>OFF>ON>OFF>ON>OFF>ON.

Please note. If you require to change the drive mode back to trailing edge, please repeat the above instructions.

Adjust Minimum Brightness level

1. Switch on the dimmer. Adjust the brightness by slowly rotating the dimmer knob to the position required (The point where the lamps should dim no further).
2. Push the dimmer (from the on position) knob 8 times (4 x power cycles) to save your setting. If successful, the lights will either step up and down in brightness or go off.

To clarify this is from the ON position >OFF>ON>OFF>ON>OFF>ON>OFF>ON.

Reset the minimum Brightness level

1. Switch on the dimmer and rotate to the minimum brightness (Turn anti-clockwise)
2. Push the dimmer (from the on position) knob 16 times (8 x power cycles) to save your setting. If successful, the lights will either step up and down in brightness or go off.

To clarify this is from the ON position >OFF>ON>OFF>ON>OFF>ON>OFF>ON>OFF>ON>OFF>ON>OFF>ON.

Factory reset

1. Switch the dimmer on and rotate to the maximum brightness (Turn clockwise)
2. Push the dimmer (from the on position) knob 16 times (8 x power cycles)
3. If successful, the lights will either step up and down in brightness or go off.

To clarify this is from the ON position >OFF>ON>OFF>ON>OFF>ON>OFF>ON>OFF>ON>OFF>ON>OFF>ON.

Wiring Diagrams

Diagram 1: Using a 1 or 2 way dimmer switch

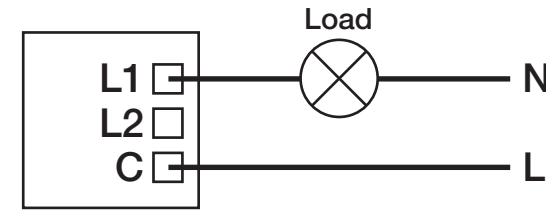


Diagram 2: Using a 2 way dimmer switch
Dimmer must replace only one of the 2 way switches

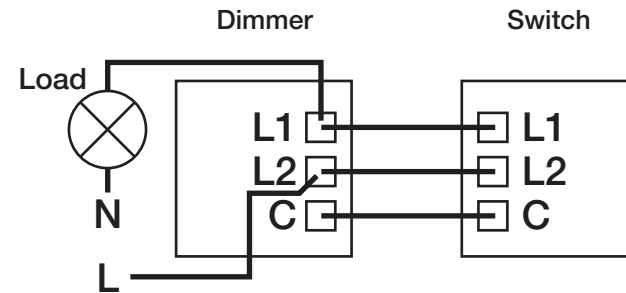


Diagram 3: Using a 2 way dimmer switch
Dimmer must replace only one of the 2 way switches

