

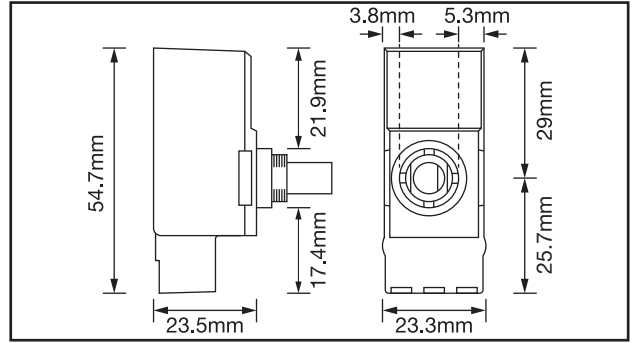
ADIM/DUM6A

6A (1000W) 2 Way Dummy Dimmer Switch Module

All-Dim

PRODUCT FEATURES

- Dummy Dimmer Module
- 6 Amps (1000W Max Load)
- Slim, Off-Centre Spindle - Fits Almost All Dimmer Plates
- Two Way On/Off Switching Function
- Compact Size With Earth Lug Void
- Suitable For Retrofit And New Installations
- Identical In Appearance To Dimmer Switch (ADIM/150W)



TECHNICAL SPECIFICATIONS

Product Code	ADIM/DUM6A
Operating Voltage (V)	220-240V AC
Maximum Load Rating	1000W
Max Current Rating	6A
Guarantee	3 Years
Class	II
Body Material	Polycarbonate
Frame Colour	Green
Switching Cycles	20,000
Ingress Protection	IP20
Ambient Operating Temperature (°C)	-10°C~40°C
Input Frequency (Hz)	50/60Hz
Function	Push On/Off

