

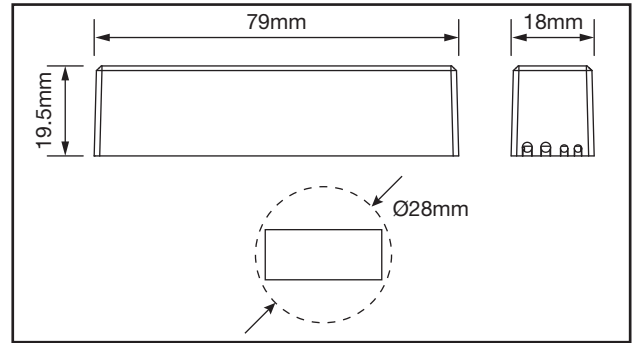
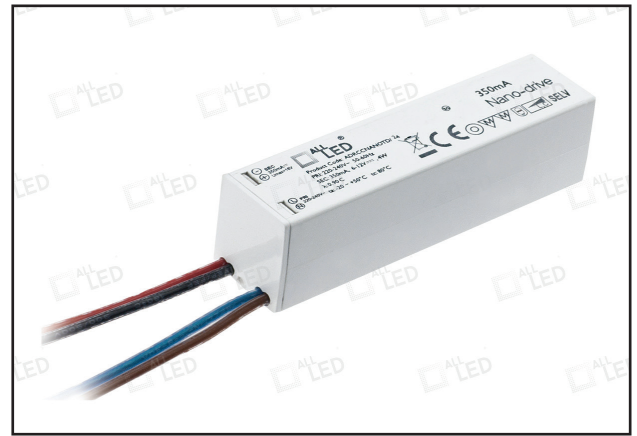
ADRCC350NANOTD/2-4

2-4W Dimmable IP55 350mA Constant Current LED Driver

Nano

PRODUCT FEATURES

- IP55 Rating
- Compact Size Fits through A 28mm Hole
- 1...4W Capacity (On/Off)
- 2...4W Capacity (Dimmable)
- Pre-Wired Unit With Tough High Temperature Cables
- Max. DC Loom Length 200m (1.5mm² Cable)
- Load:
 - 1...4 PCS x 1W LED (350mA)
 - 1 PC x 3W LED (350mA)



TECHNICAL SPECIFICATIONS

PRODUCT CODE	ADRCC350NANOTD/2-4
Operating Voltage	220-240VAC
Output Current	350mA
Output Voltage	6-12VDC
Maximum Load	1-4W (on/off) 2-4W (Dim)
Ingress Protection	IP55
Operating Temperature (°C)	-10°C ~ +40°C

SERIES WIRING DIAGRAM

