

## Safety

- Do not cover the ground contact.
- Do not cover the item, hang or fasten anything from it.
- Do not operate if any visible damage can be seen to the product.
- Do not operate if any water ingress has occurred.
- Do not operate if any smoke, steam or crackling noises can be heard from the item.
- Do not operate if any signs of overheating are recognised.
- Avoid installation in any areas where there is a risk of strong mechanical loads.
- Do not place any material over the item.
- Do not insert objects into the item.
- Do not clean using any solvent based abrasive or aggressive product.
- Do not pull any cables connected to the product.
- Light engines/LEDs, other light sources and lighting products may heat up, please take care when handling the products.
- The manufacturer will not be deemed liable or held responsible for any damages caused by faults or manufacturing defects that may be present in any of its products or the misuse or incorrect installation of this device. Please refer to our troubleshooting guide for further information.
- The manufacturer will not be held liable for any death(s) or injuries caused by misuse or poor installation or any unreported faults of this product version or versions thereof.
- Do not connect to a temporary electricity supply, this may damage the electronics.
- Isolate the item from direct, strong sunlight.
- Keep away from children.

## Returns & Faulty Items

- If any problem is encountered during or after installation, please call ALL LED technical department to get the problem resolved as soon as possible.
- Please do not just return the item to the outlet you purchased it from, as you are only entitled to a replacement or refund after the unit has undergone testing and the unit has been confirmed as having a manufacturing defect/fault. Your statutory rights are not affected.
- The manufacturer will not be deemed liable or held responsible for any damages caused by faults or manufacturing defects that may be present in any of its products or the misuse or incorrect installation of this device. Please refer to our troubleshooting guide for further information.
- All goods are supplied under the terms and conditions of ALL LED LTD, a copy of which may be obtained upon written request.

Environmental Protection  
Waste electrical products should not be disposed of with household waste. Please recycle where facilities exist. Check with your Local Authority or retailer for recycling advice



ALL LED LTD  
42 Sedgwick Road,  
Luton, LU4 9DT

www.allledgroup.com  
sales@allledgroup.com  
Tel: +44 (0)208 841 9000

The manufacturer will not be deemed liable or held responsible for any damages caused by faults or manufacturing defects that may be present in any of its products or the misuse or incorrect installation of this device  
Your statutory rights are not affected.



## INSTALLATION GUIDE & USER MANUAL ADRCV1260



**ENSURE POWER SUPPLY IS OFF WHEN HANDLING ANY ELECTRICAL EQUIPMENT.**

- This product may need to be installed by a qualified electrical installer.
- Please read this guide in its entirety to fully understand the products before attempting any install.
- All electrical work should be completed in accordance with the latest IET regulations, and/or any other relevant rules, regulations or laws of the country in which it is being installed.
- The item must be installed in isolation from any insulating material and is adequately ventilated to prevent premature failure.
- Ensure power supply is isolated prior to installation, maintenance or performing any other form of electrical work.
- The company MUST be contacted immediately for advice or swift resolution of any matters concerning any of ALL LED's products.

## Technical Specifications

| Product Code                       | ADRCV1260           |
|------------------------------------|---------------------|
| Operating Voltage                  | 220-240V            |
| Operating Current (A Max)          | 0.4A                |
| Max Output Power                   | 60W                 |
| Output Current (Max)               | 5A                  |
| Output Voltage (Max)               | 12V                 |
| PF                                 | >0.9                |
| Efficiency %                       | 89%                 |
| No Load Power (W)                  | <0.5W               |
| Dimmable                           | No                  |
| Class                              | II                  |
| Body Material                      | Polymer             |
| Frame Colour                       | White (Orange Caps) |
| Switching Cycles                   | >100,000            |
| Ingress Protection                 | IP20                |
| Ambient Operating Temperature (°C) | -20°C ~ +50°C       |
| Input Frequency (Hz)               | 50/60Hz             |
| Guarantee                          | 3 Years             |
| Lifetime                           | 30,000H             |
| Displacement Factor                | >0.9                |
| Inrush Current                     | 44.4A, 0.82µs       |
| Over Temperature Protection        | Yes                 |
| Overload Protection                | Yes                 |
| No Load Protection                 | Yes                 |



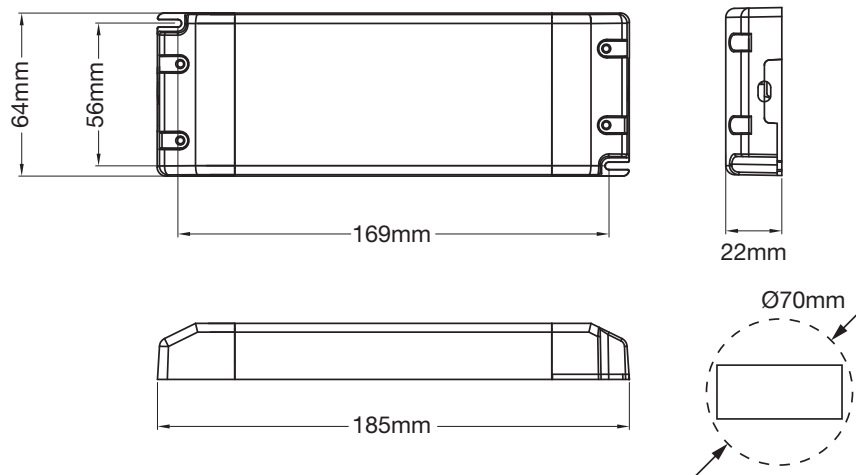
## Installation Instructions

1. We recommend checking the installation with the products for suitability prior to installation.
2. Turn off power supply at source to avoid any risk of electric shock.
3. Locate where the LED driver is to be installed.
4. Affix the LED driver to the surface / area using the appropriate method according to the substrate of the base material.
5. Connect the DC output side of the LED driver to the luminaire. Ensure the polarity is correct.
6. Connect the AC input of the LED driver to the relevant electrical circuit,
7. Double check the connections and the overall installation.
8. Turn the power supply on and check the item is functioning as it should.

## Notes

- Should you encounter any difficulties, please refer to the troubleshooting guide on the opposite page.
- Should you encounter any further difficulties with this product, please contact the ALL LED technical team.
- Do not hold this product any form of the trailing lead, it may damage the integrity of the product.
- THIS UNIT MAY HOLD SOME RESIDUAL DISCHARGE, PLEASE LEAVE DISCONNECTED AT MAINS FOR A MINIMUM OF 5 MINUTES BEFORE HANDLING ANY ELECTRICAL COMPONENTS ON THIS ITEM.

## Dimensions



Please Read 'Safety' Section On Back Page

## Troubleshooting Guide

| PROBLEM                   | CAUSE(S)  | SOLUTION(S)   |
|---------------------------|---|---|
| No Light Output From LEDs | No power to drive components  | A qualified installer/electrician should check the primary voltage side of the product to check the input voltage.  |
|                           | Loose connection on primary side.                                   | Ensure continuous and correct connection between terminals.   |
|                           | Loose connection on secondary side.                                 | Ensure continuous and correct connection between terminals. Ensure the polarity is correct.   |
|                           | No output from the driver.  | Driver may be faulty and require replacement. Please order a replacement via your local outlet. Product codes are listed on the specification table on the first page.                            |
|                           | Overvoltage may have caused damage to the sensitive LED components. | These cases are rare and the item may need replacement and/or investigation as to the cause of failure.   |
| LEDs Flashing             | Unstable or incorrect input voltage.                                | Please only use a stable voltage supply as stipulated earlier for this product. Failure to do so will void the warranty.  |
|                           | LED driver may be connected to a dimmer switch                      | Please remove the dimmer switch. Use of this product on a dimmer will void the warranty. This product is supplied non-dimmable as standard.   |
|                           | Loose connection on primary side.                                   | Ensure continuous and correct connection between the terminals.   |
|                           | Loose connection on secondary side.                                 | Ensure continuous and correct connection between terminals. Ensure the polarity is correct.   |
|                           | Wattage overload  | Too much power is trying to be drawn from the item. Flashing indicates the overload protection is actively working to prevent any damage to the item. Reduce the load on the DC side of the item. |



### ATTENTION

IF ANY PROBLEMS PERSIST, PLEASE CALL THE ALL LED TECHNICAL DEPARTMENT FOR FURTHER ASSISTANCE.