



INSTALLATION GUIDE & USER MANUAL AFDMR11 RANGE



PLEASE READ
BEFORE USE!

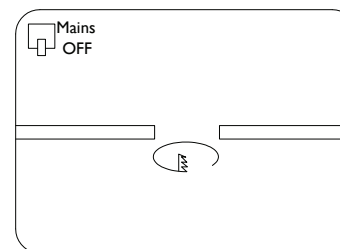
⚠ ENSURE POWER SUPPLY IS OFF WHEN HANDLING ANY ELECTRICAL EQUIPMENT.

- This product may need to be installed by a qualified electrical installer.
- Please read this guide in its entirety to fully understand the products before attempting any install.
- All electrical work should be completed in accordance with the latest IET regulations, and/or any other relevant rules, regulations or laws of the country in which it is being installed.
- The item must be installed in isolation from any insulating material and is adequately ventilated to prevent premature failure.
- Ensure power supply is isolated prior to installation, maintenance or performing any other form of electrical work.
- In the event of incorrect or improper function with specific regard to any of ALL LED's products and contact ALL LED for further advice.

Technical Specifications

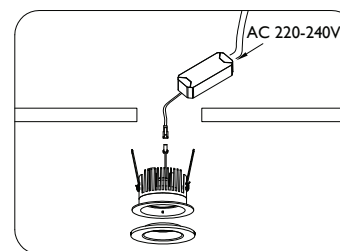
Product Code	AFDMR11/30	AFDMR11/40
Useful Luminous Flux (LM)	580lm	620lm
CCT (Kelvin)	3000K	4000K
Beam Angle (°)	35°	35°
SDCM	≤4	≤4
CRI	90	90
Peak Intensity (cd)	1470cd	1750cd
Operating Voltage (VAC)	220-240 VAC	220-240 VAC
Max Output Power (W)	9W	9W
Class	II	II
Body Material	Cast Aluminium	Cast Aluminium
Cut Out	50mm	50mm
Frame Colour	White + Black	White + Black
Switching Cycles	≤100,000	≤100,000
Ingress Protection	IP65	IP65
Ambient Operating Temperature (°C)	-20°C ~ +45°C	-20°C ~ +45°C
Input Frequency (Hz)	50/60Hz	50/60Hz
Guarantee	5 Years	5 Years
Dimmable	Yes	Yes
Lifetime (L70 B50)	> 50,000 Hrs	> 50,000 Hrs
Lumen Maintenance Factor	96%	96%

Installation Instructions



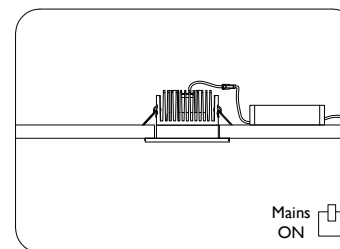
Choose the location of your new downlight, giving consideration to joists, water pipes, wiring or any other obstacles that may hamper installation. Please also ensure you have adequate ventilation and/or ceiling clearance in the relevant voids.

Using a hole cutter, cut the appropriate cutout for the downlight.



Feed cables through and make the electrical connections to the LED driver according to relevant regulations in your territory.

Install the fixture in the ceiling using the spring clips and place bezel on product.



Turn mains electricity back on and test to see if the product is functioning correctly

Notes

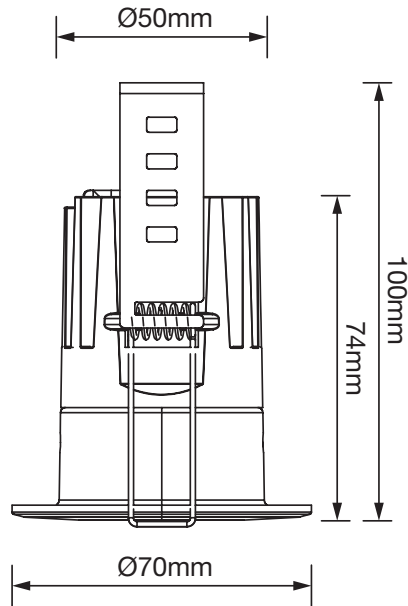
Should you encounter any difficulties with this product, please contact the ALL LED technical team.

Do not hold this product by trailing lead, it may damage the integrity of the product

Troubleshooting Guide

PROBLEM	CAUSE(S)	SOLUTION(S)
No Light Coming From Lamp	No power to drive components	A qualified installer/electrician should check the primary voltage side of the product to check the input voltage.
	Loose connection on circuit	Ensure continuous and correct connection between terminals.
	DC connector not plugged in properly or attached on driver properly	Double check connections and that item is plugged in correctly.

Dimensions (mm)



ATTENTION

IF ANY PROBLEMS PERSIST, PLEASE CALL THE ALL LED TECHNICAL DEPARTMENT FOR FURTHER ASSISTANCE.

Safety

- Do not cover the ground contact.
- Do not cover the luminaire, hang or fasten anything from it.
- Do not operate if any visible damage can be seen to the product.
- Do not operate if any water ingress has occurred.
- Do not operate if any smoke, steam or crackling noises can be heard from the luminaire.
- Do not operate if any signs of overheating are recognised.
- Avoid installation in any areas where there is a risk of strong mechanical loads.
- Do not place any material over the lens or LED diode/chip.
- Do not insert objects into the luminaire.
- Do not clean using any solvent based abrasive or aggressive product.
- Do not pull any cables connected to the product.
- Do not direct the luminaire into a persons eyes, as this unit may have an intense light output, which if incorrectly used may cause eye damage.
- Light engines/LEDs and other light sources may heat up, please take care when handling the products.
- The manufacturer will not be deemed liable or held responsible for any damages caused by faults or manufacturing defects that may be present in any of its products or the misuse or incorrect installation of this device. Please refer to our troubleshooting guide for further information.
- The manufacturer will not be held liable for any death(s) or injuries caused by misuse or poor installation or any unreported faults of this product version or versions thereof.
- LEDs are sensitive to electrostatic discharge. Do not touch the surface of the LED module.
- Do not connect to a temporary electricity supply, this may damage the electronics.
- REPLACE DAMAGED PRODUCT IMMEDIATELY.
- Keep away from children.

Returns & Faulty Items

- If any problem is encountered during or after installation, please call ALL LED technical department to get the problem resolved as soon as possible.
- Please do not just return the item to the outlet you purchased it from, as you are only entitled to a replacement or refund after the unit has undergone testing and the unit has been confirmed as having a manufacturing defect/fault. Your statutory rights are not affected.
- The manufacturer will not be deemed liable or held responsible for any damages caused by faults or manufacturing defects that may be present in any of its products or the misuse or incorrect installation of this device. Please refer to our troubleshooting guide for further information.
- All installations must be carried out in accordance with this installation guide and user manual.
- All goods are supplied under the terms and conditions of ALL LED LTD, a copy of which may be obtained upon written request.



ALL LED LTD
42 Sedgwick Road,
Luton, LU4 9DT

www.allledgroup.com
sales@allledgroup.com
Tel: +44 (0)208 841 9000

Environmental Protection
Waste electrical products should not be disposed of with household waste. Please recycle where facilities exist. Check with your Local Authority or retailer for recycling advice



ISOLATE MAINS SUPPLY BEFORE HANDLING ANY ELECTRICAL PRODUCTS

The manufacturer will not be deemed liable or held responsible for any damages caused by faults or manufacturing defects that may be present in any of its products or the misuse or incorrect installation of this device
Your statutory rights are not affected.

