

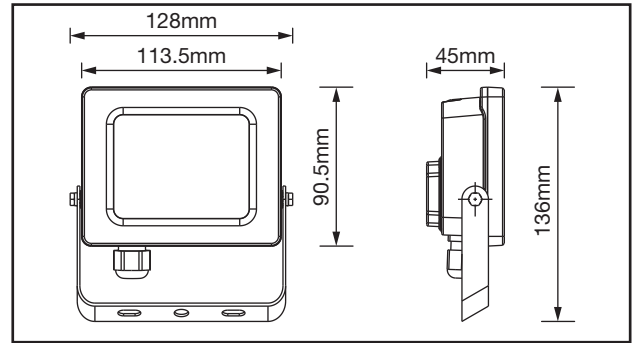
## AFL010/CCT/\*\*

10W IP65 Slim Design  
CCT Selectable Floodlight



### PRODUCT FEATURES

- IP65 Rating
- CCT Selectable (3000K/4000K/6000K)
- Push Terminals For Quick Install
- Built-In Junction Box
- Easy-Install Angled Bracket
- 360° Swivel Bracket
- Prismatic Toughened Glass
- Slimline Diecast Aluminium Body



### TECHNICAL SPECIFICATIONS

PRODUCT CODE	AFL010/CCT/**
Rated Power	10W
Housing Colour	Carbon Black / Polar White
Operating Voltage	220-240V
Frequency	50-60Hz
CRI	>80
Power Factor	>0.9
Beam Angle	120°
Lifetime to LM70	<30,000 Hrs
Operating Temperature	-25°C ~ +40°C
SDCM	<6
Starting Time	0.5sec
Ingress Protection	IP65
LED Chip Type	SMD2835
Guarantee	2 Years
Useful Luminous Flux: 3000K / 4000K / 6000K	≤751lm / ≤889lm / ≤807lm
CCT	3000K / 4000K / 6000K
Switching Cycles	≤15,000
Peak Intensity: 3000K / 4000K / 6000K	353cd / 412cd / 369cd
Class	I



**Carbon Black\***  
AFL010/CCT/BK



**Polar White\***  
AFL010/CCT/WH



\*Sold Separately