

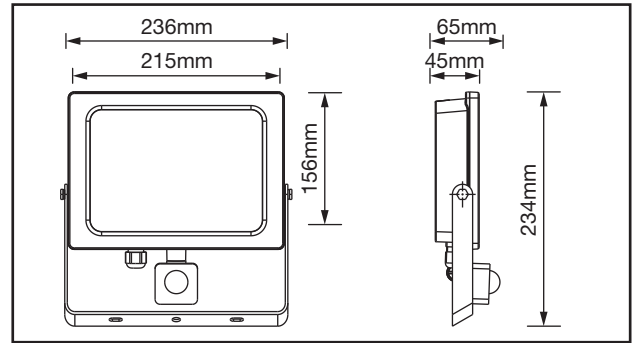
AFL050/CCT/PIR/**

50W IP65 Slim Design
CCT Selectable PIR Floodlight



PRODUCT FEATURES

- IP65 Rating
- CCT Selectable (3000K/4000K/6000K)
- Fully Adjustable PIR
- Manual Override
- Detection Angle: 120 Degrees
- Detection Range: 2-10 Meters
- Hold Time: 10 Sec +/- 5 second to 10 Min +/- 2 Min
- Lux Setting: 3-2000 Lux
- Active Occupancy Monitoring Sensor
- Slimline Diecast Aluminium Body



TECHNICAL SPECIFICATIONS

| PRODUCT CODE | AFL050/CCT/PIR/** |
|--|---|
| Rated Power | 50W |
| Housing Colour | Textured Black |
| Operating Voltage | 220-240V |
| Frequency | 50-60Hz |
| CRI | >80 |
| Power Factor | >0.9 |
| Beam Angle | 120° |
| Lifetime To LM70 | <30,000 Hrs |
| Operating Temperature | -25°C~+40°C |
| SDCM | <6 |
| Starting Time | 0.5sec |
| Ingress Protection | IP65 |
| LED Chip Type | SMD2835 |
| Guarantee | 2 Years |
| Detection Angle: | 120° |
| Detection Range | 2-10m |
| Hold Time: | 10 Sec +/- 5 Second To 10 Min +/- 2 Min |
| Lux Setting: | 3-2000 Lux |
| Useful Luminous Flux: 3000K / 4000K / 6000K | ≤3466lm / ≤4376lm / ≤3528lm |
| CCT | 3000K / 4000K / 6000K |
| Switching Cycles | ≤15,000 |
| Peak Intensity 3000K / 4000K / 6000K | 1523cd / 1910cd / 1522cd |
| Class | I |



Carbon Black*
AFL050/CCT/PIR/BK



Polar White*
AFL050/CCT/PIR/WH



*Sold Separately