

Safety

- Do not cover the ground contact.
- Do not cover the luminaire, hang or fasten anything from it.
- Do not operate if any visible damage can be seen to the product.
- Do not operate if any water ingress has occurred.
- Do not operate if any smoke, steam or crackling noises can be heard from the luminaire.
- Do not operate if any signs of overheating are recognised.
- Avoid installation in any areas where there is a risk of strong mechanical loads.
- Do not place any material over the lens or LED diode/chip.
- Do not insert objects into the luminaire.
- Do not clean using any solvent based abrasive or aggressive product.
- Do not pull any cables connected to the product.
- Do not direct the luminaire into a persons eyes, as this unit may have an intense light output, which if incorrectly used may cause eye damage.
- Light engines/LED'S and other light sources may heat up, please take care when handling the products.
- The manufacturer will not be deemed liable or held responsible for any damages caused by faults or manufacturing defects that may be present in any of its products or the misuse or incorrect installation of this device. Please refer to our trouble shooting guide for further information.
- The manufacturer will not be held liable for any death(s) or injuries caused by misuse or poor installation or any unreported faults of this product version or versions thereof.
- LED's are sensitive to electrostatic discharge. Do not touch the surface of the LED module.
- Do not connect to a temporary electricity supply, this may damage the electronics.
- Light fittings with an integrated emergency option are with a separate installation and wiring leaflet. Please refer to this manual for further details. If the manual is unavailable please contact an ALL LED representative for assistance.
- REPLACE DAMAGED PRODUCT IMMEDIATELY.
- Keep away from children.

Returns & Faulty Items

- If any problem is encountered during or after installation, please call ALL LED technical department to get the problem resolved ASAP.
- Please do not just return the item to the outlet you purchased it from, as you are only entitled to a replacement or refund after the unit has undergone testing and the unit has been confirmed as having a manufacturing defect/fault. Your statutory rights are not affected.
- The manufacturer will not be deemed liable or held responsible for any damages caused by faults or manufacturing defects that may be present in any of its products or the misuse or incorrect installation of this device.
- All installations must be carried out in accordance with this installation guide and user manual.
- All goods are supplied under the terms and conditions of ALL LED LTD, a copy of which may be obtained upon written request.



INSTALLATION GUIDE AFL050/CCT/PIR/BK Hunter 50W IP65 Slim Design CCT PIR Floodlight Black

ENSURE POWER SUPPLY IS OFF WHEN HANDLING ANY ELECTRICAL EQUIPMENT.

- This product must be installed by a qualified electrical installer.
- Please read this guide in its entirety to fully understand the products before attempting any install.
- All electrical work should be completed in accordance with the latest IET regulations, and/or any other relevant rules, regulations or laws of the country in which it is being installed.
- The item must be installed in isolation from any insulating material and is adequately ventilated to prevent premature failure.
- Ensure power is isolated prior to installation, maintenance or performing any other form of electrical work.
- In the event of incorrect or improper function with specific regard to any of ALL LED's products and contact ALL LED for further advice.

Technical Specifications

Product Code	AFL050/CCT/PIR/BK
Rated Power	50W
Housing Colour	Textured Black
Operating Voltage	220-240V
Frequency	50-60Hz
CRI	>80
PF	>0.9
Beam Angle	120°
Lifetime to LM70	<30,000 hr
Operating Temperature	-25°C ~ +40°C
SDCM	<6
Starting Time	0.5s
Ingress Protection	IP65
LED Chip Type	SMD2835
Guarantee	2 years
Detection Angle:	120 Degrees
Detection Range:	2-10 Meters
Hold Time	10 Sec +/- 5 second to 10 Min +/- 2 Min
Lux Setting:	3-2000 Lux
Lumens:	
3000K	≤3780Lm
4000K	≤4470Lm
6000K	≤3850Lm
CCT	3000K /4000K /6000K
Switching Cycles	≤15,000
Peak Intensity:	
3000K	1360cd
4000K	1648cd
6000K	1432cd
Class	I

Installation Instructions

	Ensure power supply is switched off at the mains supply to minimise the risk of electric shock.
	Hold the fixture against the installation surface as a guide to mark the holes. Using appropriate method mount the fixture onto the surface.
	Remove the back plate
	Feed the cable through the cable gland and using push terminals insert the appropriate cables to form a connection.
	Tighten cable gland using a spanner. Do not close finger tight as this may cause water ingress.

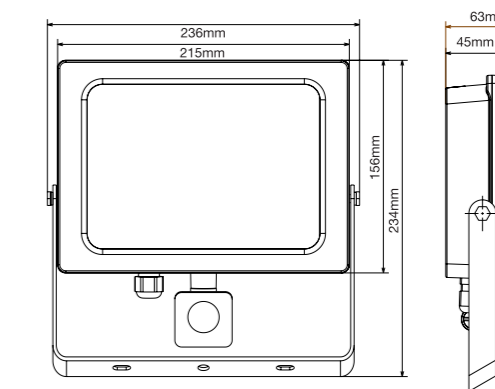
	Slide the switch to choose between 3000K, 4000K or 6000K
	Tightly close the cover using screws provided ensuring seal is positioned correctly
	Turn power on.

Images used for illustration purpose only

SAFETY WARNING

- ENSURE THE PLASTIC LOCATED ONTOP OF THE LED'S IS NEVER REMOVED OR TAMPERED WITH.
- IF THERE IS ANY VISIBLE DAMAGE TO THIS ITEM, PLEASE ENSURE THAT THE POWER IS SWITCHED OFF AND REMAINS OFF. IMMEDIATELY REPLACE THE UNIT.
- DO NOT TOUCH THE LED CHIPS AT ANY POINT DURING, OR AFTER INSTALLATION OF THE LUMINAIRE AS THERE IS RISK OF ELECTRICAL SHOCK.

Dimensions



Manual Override Operation

To **OVERRIDE** the unit and permanently turn the unit on cycle the switch as below:
ON>OFF>ON
The unit will remain ON.
To **RESET** cycle the switch as follows:

ON>OFF (5 Seconds)>ON
The PIR will now be active again

Environmental Protection
Waste electrical products should not be disposed of with household waste. Please recycle where facilities exist. Check with your Local Authority or retailer for recycling advice



ALL LED LTD
Unit 01 Brantree Industrial Estate
Brantree Road
Branley
HA4 6JZ

www.allledgroup.com
sales@allledgroup.com
Tel: +44 (0)208 841 9900
Fax: +44 (0)208 39 66 222

The manufacturer will not be deemed liable or held responsible for any damages caused by faults or manufacturing defects that may be present in any of its products or the misuse or incorrect installation of this device Your statutory rights are not affected.



ATTENTION
FOR TECHNICAL HELP CALL THE ALL LED TECHNICAL DEPARTMENT FOR FURTHER ASSISTANCE.