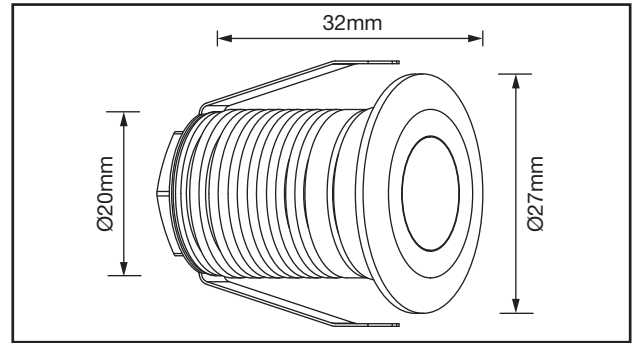
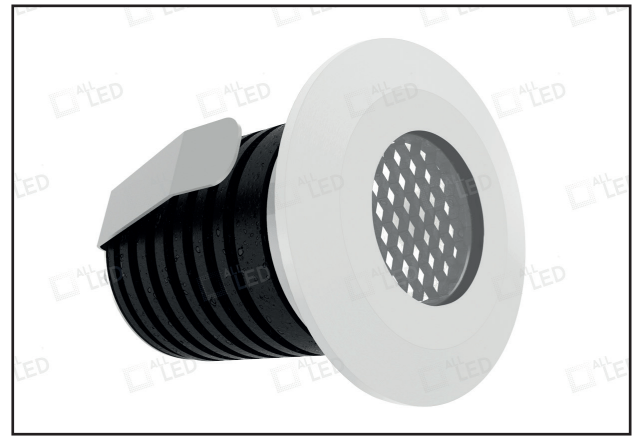


AGLX020WH

1W IP67 Polar White Finish
Baffle Honeycomb Ground Light



PRODUCT FEATURES

- IP67 Polar White Finish
- Glare-Reducing Honeycomb
- Drive Over Rated (2 Metric Tonnes)*
- Toughened Flush Glass
- 2 Metre Pre-Wired Tough Rubber Robust Cable For Extreme Outdoor Use
- 350mA Constant Current (Series Wiring)
- 15° Narrow Beam Angle
- Robust Metal Cable Gland

TECHNICAL SPECIFICATIONS

PRODUCT CODE	AGLX020WH/27	AGLX020WH/30	AGLX020WH/40
Luminous Flux (LM)	76lm	77lm	81lm
Useful Luminous Flux (LM)	76lm	77lm	81lm
CCT (Kelvin)	2700K	3000K	4000K
Beam Angle (°)	15°	15°	15°
SDCM	<6	<6	<6
CRI	>80	>80	>80
Peak Intensity	376cd	408cd	393cd
Operating Voltage (V)	3V	3V	3V
Max Output Power (W)	1W	1W	1W
Operating Current (A max)	350mA**	350mA**	350mA**
Class	III	III	III
Body Material	Aluminium	Aluminium	Aluminium
Cut Out	20mm	20mm	20mm
Frame Colour	Texture White	Texture White	Texture White
Switching Cycles	<100,000	<100,000	<100,000
Ingress Protection	IP67	IP67	IP67
Ambient Operating Temperature (°C)	-20°C ~ +50°C	-20°C ~ +50°C	-20°C ~ +50°C
Guarantee	3 Years	3 Years	3 Years
Dimmable	Yes*	Yes*	Yes*
Lifetime (L70 B50)	50,000 Hrs	50,000 Hrs	50,000 Hrs

+When installed with Mounting Sleeve (included)
*When used with a suitable ALL LED dimmable driver
**350mA driver required (sold separately)

SERIES WIRING
350mA

VERY WARM WHITE
2700K

WARM WHITE
3000K

COOL WHITE
4000K

DESIGNED IN
BRITAIN

IP67

50,000H

SMD LED

CLASS 3

2M
PREWIRED
CABLE

≤81lm

15°

1W

DIMMABLE
WITH DRIVER

3
YEAR
GUARANTEE

G