

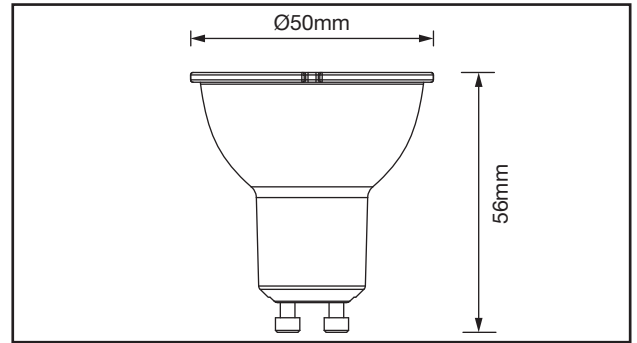
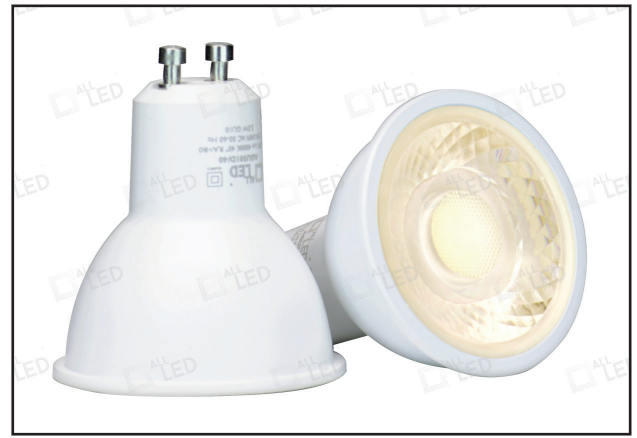
AGU501D

5.5W High Output LED GU10

MORGAN

PRODUCT FEATURES

- High Efficiency
- Full Polycarbonate & Aluminium Jacket
- Retrofit Size For Replacing Halogen Lamps
- Dimmable
- Diamond Cut Lens Technology For Optimum Beam Angle



TECHNICAL SPECIFICATIONS

PRODUCT CODE	AGU501D/27	AGU501D/30	AGU501D/40	AGU501D/60
Rated Power	5.5W	5.5W	5.5W	5.5W
Overall Diameter	50mm	50mm	50mm	50mm
Luminous Flux (LM)	463lm	489lm	521lm	521lm
Useful Luminous Flux (Narrow Cone 90)	361lm	381lm	408lm	408lm
Colour Temperature	2700K	3000K	4000K	6000K
Class	II	II	II	II
Peak Intensity	537cd	568cd	615cd	615cd
Power Factor	≥0.5	≥0.5	≥0.5	≥0.5
Switching Cycles	>15,000	>15,000	>15,000	>15,000
Lifetime	25,000 Hrs	25,000 Hrs	25,000 Hrs	25,000 Hrs
CRI	≥80	≥80	≥80	≥80
Voltage	220-240 V	220-240 V	220-240 V	220-240 V
Frequency	50/60 Hz	50/60 Hz	50/60 Hz	50/60 Hz
Operating Temperature	-20°C~+40°C	-20°C~+40°C	-20°C~+40°C	-20°C~+40°C
Beam Angle	50°	50°	50°	50°
SCDM	≤6	≤6	≤6	≤6
EEL Label	G	G	F	F

