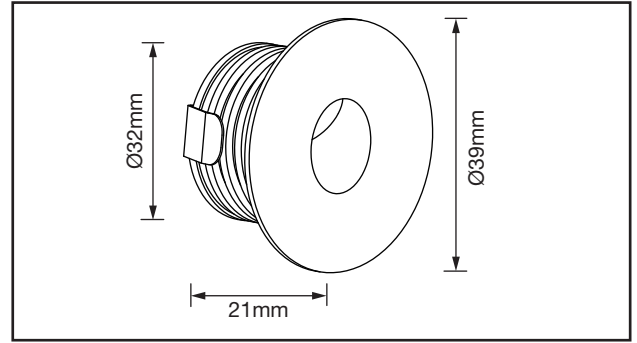
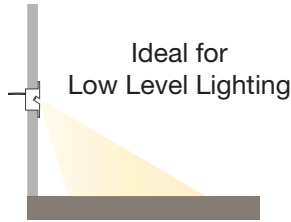


ALRD032

1W LED 350mA IP65 Round Low Level

PRODUCT FEATURES

- Glare-Reducing Low Level Lighting
- Frosted Glass For A Soft Edge Beam
- Ideal For Stair & Plinth Lighting
- Ultra Slim Profile
- Dimmable With Dimmable LED Driver
- 350mA Constant Current (Series Wiring)
- 1m Pre-Wired Cable
- IP65 Rated



TECHNICAL SPECIFICATIONS

PRODUCT CODE	ALRD032**/30	ALRD032**/40
Rated Power	1W	1W
Lumens	≤80lm	≤90lm
Beam Angle	50°	50°
CCT	3000K	4000K
CRI	>80	>80
Lifetime	50,000 Hrs	50,000 Hrs
Operating Temperature	-20°C ~ +40°C	-20°C ~ +40°C
Operating Voltage	220-240V	220-240V
Power Factor	>0.5	>0.5
Frequency	50~60Hz	50~60Hz
Switching Cycles	<25,000	<25,000
Ingress Protection	IP65	IP65
Guarantee	3 Years	3 Years
SDCM	<6	<6
Class	III	III



Brushed Aluminium
ALRD032AL



Polished Chrome
ALRD032PC



Polar White
ALRD032WH

SERIES WIRING 350mA	WARM WHITE 3000K	COOL WHITE 4000K	DESIGNED IN BRITAIN	IP65	50,000H	SMD LED	CLASS 3	1M PREWIRED CABLE	≤90lm	50°	1W	DIMMABLE WITH DRIVER	3 YEAR GUARANTEE
-------------------------------	----------------------------	----------------------------	----------------------------	-------------	----------------	----------------	----------------	--------------------------	--------------	------------	-----------	-----------------------------	-------------------------