

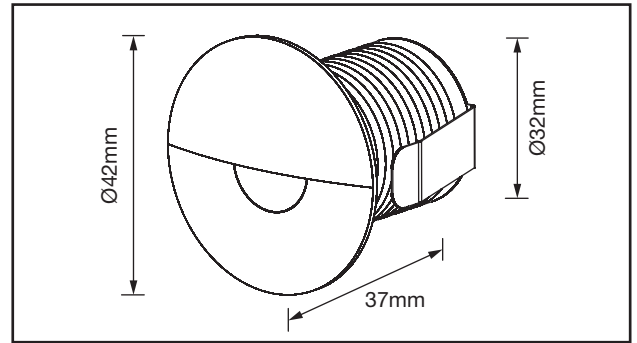
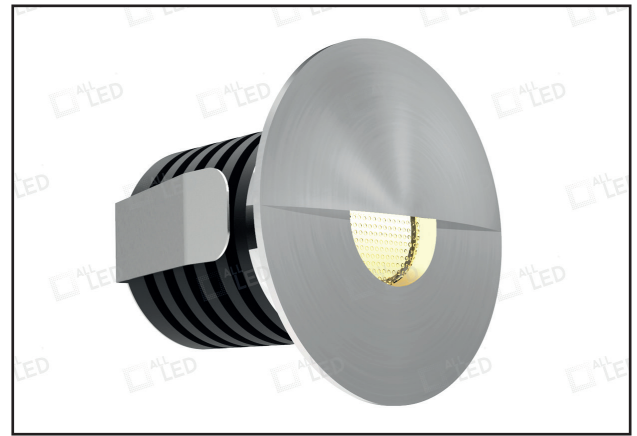
## ALRE032AL / \*\*

1W 350mA IP65 Low Profile Brushed Aluminium Eyelid Marker Light



### PRODUCT FEATURES

- Low Glare, High Power Output
- Diamond Cut Lens
- Cree Diode Inside
- Super Slim Bezel
- Matt Brushed Aluminium (AL Model Only)
- Flush Toughened Glass
- Suitable For In Ground Use
- 1 Metre Pre-Wired Cable
- Carbon Black & Polar White Bezels Available (Sold Separately)



### TECHNICAL SPECIFICATIONS

PRODUCT CODE	ALRE032AL/27	ALRE032AL/30	ALRE032AL/40
Useful Luminous Flux (LM)	34lm	44lm	50lm
CCT (Kelvin)	2700K	3000K	4000K
Beam Angle (°)	36°	36°	36°
SDCM	<6	<6	<6
CRI	>80	>80	>80
Peak Intensity	86cd	114cd	126cd
Operating Voltage (V)	3V	3V	3V
Max Output Power (W)	1W	1W	1W
Operating Current (A Max)	350mA**	350mA**	350mA**
Class	III	III	III
Cut Out	32mm	32mm	32mm
Frame Colour	Brushed Aluminium	Brushed Aluminium	Brushed Aluminium
Switching Cycles	<100,000	<100,000	<100,000
Ingress Protection	IP65	IP65	IP65
Ambient Operating Temperature (°C)	-20°C ~ +50°C	-20°C ~ +50°C	-20°C ~ +50°C
Guarantee	3 Years	3 Years	3 Years
Lifetime (L70 B50)	50,000 Hrs	50,000 Hrs	50,000 Hrs
Dimmable	Yes*	Yes*	Yes*



**Carbon Black Bezel**  
ALRE032BZ/BLK



**Polar White Bezel**  
ALRE032BZ/WH

\*When used with a suitable ALL LED dimmable driver  
\*\*350mA driver required (sold separately)

<b>SERIES WIRING</b> 350mA	<b>VERY WARM WHITE</b> 2700K	<b>WARM WHITE</b> 3000K	<b>COOL WHITE</b> 4000K	DESIGNED IN BRITAIN	IP65	50,000H	SMD LED	CLASS 3	1M PREWIRED CABLE	≤50lm	36°	1W	DIMMABLE WITH DRIVER	3 YEAR GUARANTEE	
-------------------------------	---------------------------------	----------------------------	----------------------------	---------------------	------	---------	---------	---------	-------------------	-------	-----	----	----------------------	------------------	--