

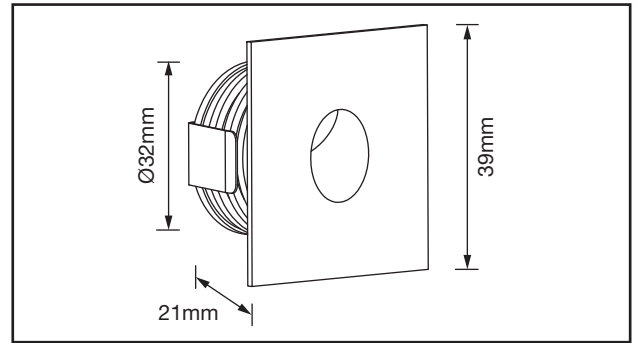
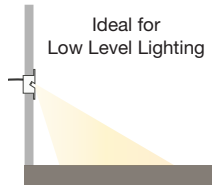
## ALSQ032

1W LED 350mA IP65 Low Level

**sloane**  
CLASSIC

### PRODUCT FEATURES

- IP65 Rated
- Anti-Glare Low Level Lighting
- Frosted Glass For Optimum Light Distribution
- Ideal For Stair And Commercial Lighting
- Ultra Slim Profile
- Dimmable With Dimmable LED Driver
- 350mA Constant Current (Series Wiring)
- 1m Pre-Wired Cable



### TECHNICAL SPECIFICATIONS

PRODUCT CODE	ALSQ032**/30	ALSQ032**/40
Rated Power	1W	1W
Lumens	≤80lm	≤90lm
Beam Angle	50°	50°
CCT	3000K	4000K
CRI	80	80
Lifetime	50,000 Hrs	50,000 Hrs
Operating Temperature	-20°C ~ +40°C	-20°C ~ +40°C
Operating Voltage	220-240V	220-240V
Power Factor	>0.5	>0.5
Frequency	50~60Hz	50~60Hz
Switching Cycles	<25,000	<25,000
Ingress Protection	IP65	IP65
Guarantee	3 Years	3 Years
SDCM	<6	<6
Class	III	III



**Brushed Aluminium**  
ALSQ032AL



**Polished Chrome**  
ALSQ032PC



**Polar White**  
ALSQ032WH

