

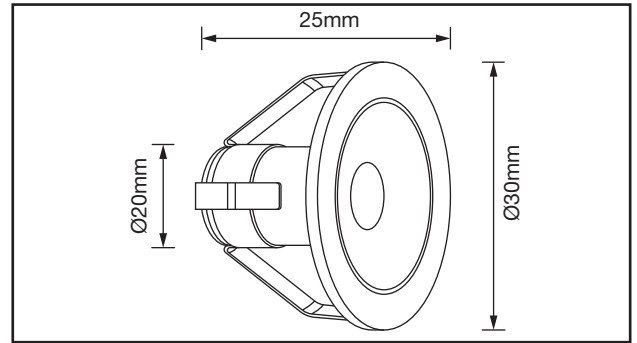
AMKR020

1W LED 350mA IP44 Marker Light

mini™

PRODUCT FEATURES

- IP44 Rating
- 1W LED
- Anti-Glare Design
- Clear Glass Provides A Sharp Edged Beam For Strong Architectural Effect
- Interchangeable Bezels Available†
- Ultra Slim Profile
- Dimmable With A Dimmable LED Driver*
- 350mA Constant Current (Series Wiring)
- 2 Metre Pre-Wired Cable



TECHNICAL SPECIFICATIONS

PRODUCT CODE	AMKR020**/30	AMKR020**/40	AMKR020**/BL
Max Power Output	1W	1W	1W
Lumens	≤60lm	≤70lm	≤25lm
CCT	3000K	4000K	Blue
Beam Angle	50°	50°	50°
CRI	>80	>80	>80
Ingress Protection	IP44	IP44	IP44
Lifetime (Hours to Im70)	50,000 Hrs	50,000 Hrs	50,000 Hrs
Operating Current	350mA	350mA	350mA
Operating Temperature	-20°C~+50°C	-20°C~+50°C	-20°C~+50°C



Matte Brushed Aluminium
AMKR020AL



Polar White
AMKR020WH

SERIES WIRING 350mA	WARM WHITE 3000K	COOL WHITE 4000K	BLUE	DESIGNED IN BRITAIN	IP44	50,000H	SMD LED	CLASS 3	2M PREWIRED CABLE	≤70lm	50°	1W	DIMMABLE WITH DRIVER	5 YEAR GUARANTEE
-------------------------------	----------------------------	----------------------------	-------------	----------------------------	-------------	----------------	----------------	----------------	--------------------------	--------------	------------	-----------	-----------------------------	-------------------------

* When Used With a Suitable ALL LED Dimmable Driver
† Item(s) Sold Separately