

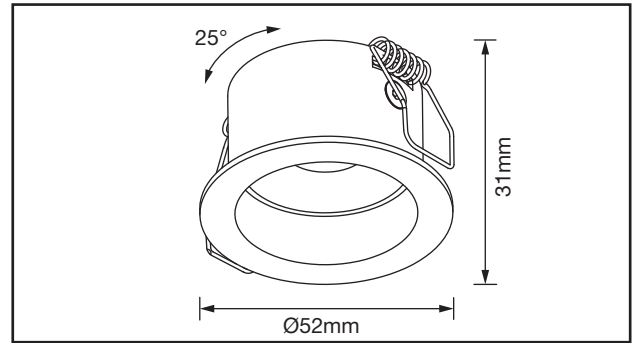
AMKR044

3W LED 350mA
IP44 Adjustable Mini Spotlight

vector

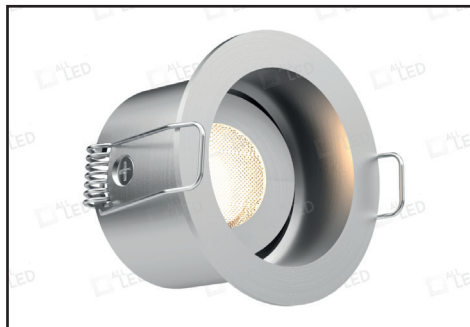
PRODUCT FEATURES

- 3W COB LED
- Baffled Anti-Glare Design
- 25° Max Tilt Angle
- Diamond Cut Lens
- IP44 Suitable For Use In Bathrooms
- 1m Pre-Wired Cable
- 350mA Constant Current (Series Wiring)
- Dimmable With Dimmable LED Driver
- Brushed Aluminium Finish



TECHNICAL SPECIFICATIONS

PRODUCT	AMKR044**/30	AMKR044**/40
CCT	3000K	4000K
Max Power Output	3W	3W
Lumens	≤210lm	≤230lm
Beam Angle	20°	20°
CRI	>90	>90
Lifetime	50,000 Hrs	50,000 Hrs
Operating Temperature	-20°C~+45°C	-20°C~+45°C
Switching Cycles	50,000	50,000
Ingress Protection	IP44	IP44
Operating Current	350mA	350mA
Max Tilt Angle	25°	25°
Baffle Depth	12mm	12mm
Overall Diameter	52mm x 31mm	52mm x 31mm
Cut Out Diameter	43mm	43mm



Matte Brushed Aluminium
AMKR044AL



Polar White
AMKR044WH

SERIES WIRING 350mA	WARM WHITE 3000K	COOL WHITE 4000K	DESIGNED IN BRITAIN	IP44	50,000H	COB LED	CLASS 3	1M PREWIRED CABLE	≤230lm	25°	3W	INDOORS ONLY	DIMMABLE WITH DRIVER	5 YEAR GUARANTEE
-------------------------------	----------------------------	----------------------------	----------------------------	-------------	----------------	----------------	----------------	--------------------------	---------------	------------	-----------	---------------------	-----------------------------	-------------------------