

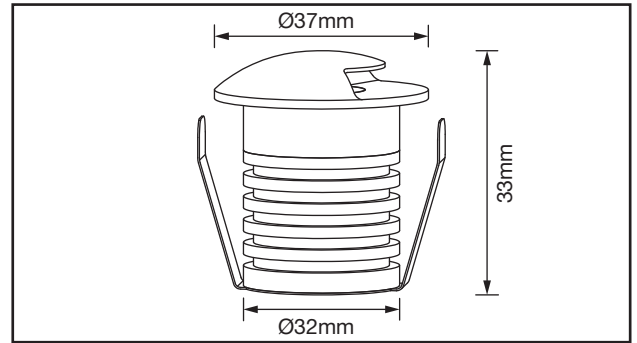
## APF032AL/01

1W Unidirectional LED IP65 Low Level  
Matte Brushed Aluminium Finish

# PATHFINDER

### PRODUCT FEATURES

- Anti-Glare Lighting Solution
- Ideal For Stair & Path Lighting
- IP65 Rated
- Dimmable With Dimmable LED Driver
- Drive-Over - 2 Metric Tonnes When Used in 32mm Mounting Sleeve\* (AGL/MS032)
- 350mA Constant Current (Series Wiring)
- 1m Pre-Wired Cable



### TECHNICAL SPECIFICATIONS

PRODUCT CODE	APF032AL/01/30	APF032AL/01/40
Max Power Output	1W	1W
Operating Current	350mA	350mA
CCT	3000K	4000K
CRI	>80	>80
Lifetime to LM70	50,000 Hrs	50,000 Hrs
Lumens	≤80lm	≤90lm
Switching Cycles	<100,000	<100,000
Ambient Operating Temp	-20°C~+50°C	-20°C~+50°C
SDCM	<6	<6
Starting Time (Chip)	Instant Full Light	Instant Full Light
Ingress Protection	IP65	IP65
Peak Intensity	180cd	200cd

