

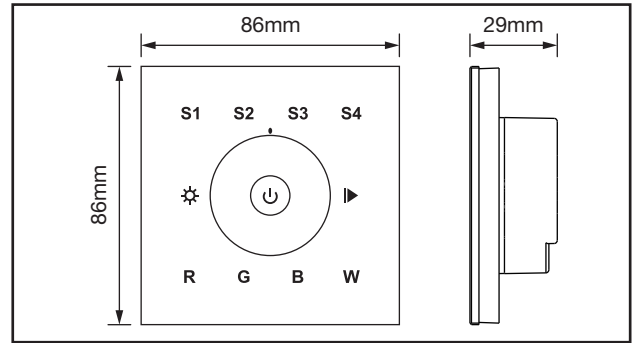
ASC/DMX/WS1

1 Zone RGBW Wall Mounted DMX512 Controller For Use With ASCDIM/DMX

StripMoD

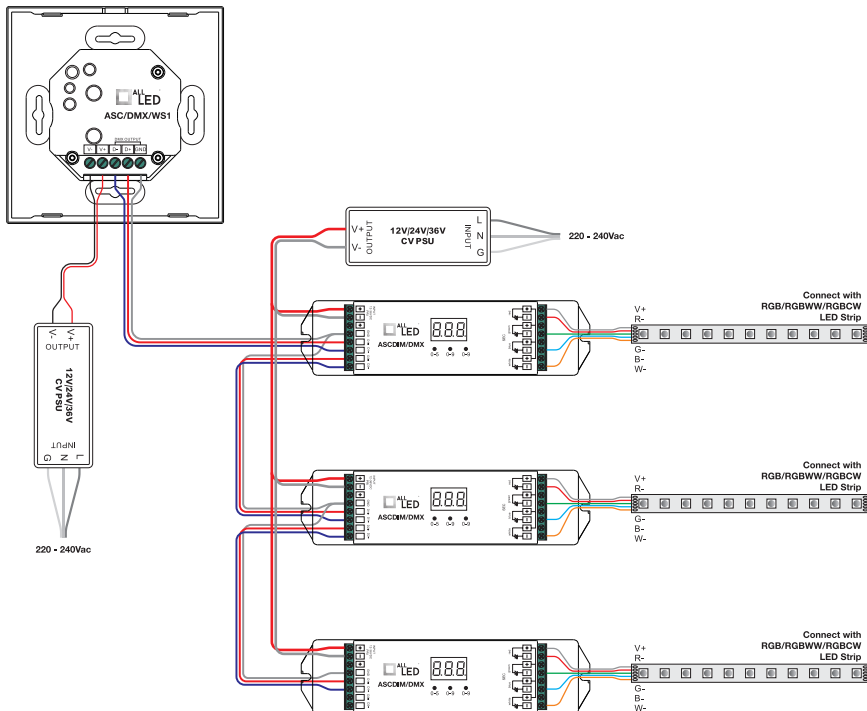
PRODUCT FEATURES

- Universal RGBW And RGB DMX512 Wired Signal Output
- Touch Sensitive Glass Control Panel
- 1 Zone Control With 4 Programmable Scenes
- 10 Built-In Colour Changing Effects, On/Off And 1-100% Dimming Control
- Create Over 16 Million Colours Using RGBW Buttons
- 1 Gang 35MM Backbox Required
- For Use With ASCDIM/DMX
- 5 Core Power Cable Recommended For DMX Wiring
- 12/24Vdc Driver Required*
- Available In Gloss White And Gloss Black Finish



TECHNICAL SPECIFICATIONS

Product Code	ASC/DMX/WS1/W	ASC/DMX/WS1/B
Operating Voltage (V)	12-24VDC	12-24VDC
Operating Current (mA)	20mA	20mA
Standby Power (W)	<0.5W	<0.5W
Class	II	II
Body Material	Polycarbonate/Glass	Polycarbonate/Glass
Ingress Protection	IP20	IP20
Ambient Operating Temperature (°C)	0°C~+45°C	0°C~+45°C
Guarantee	3	3
Dimming Mode	DMX512 Signal	DMX512 Signal



Gloss Black
ASC/DMX/WS1/B



Gloss White
ASC/DMX/WS1/W

