



## INSTALLATION GUIDE & USER MANUAL ASC/DMX/WS1 RANGE



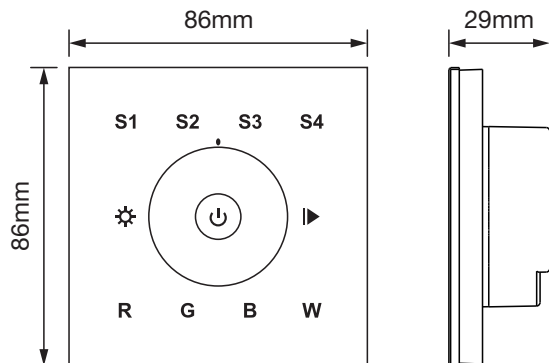
**ENSURE POWER SUPPLY IS OFF WHEN HANDLING ANY ELECTRICAL EQUIPMENT.**

- This product may need to be installed by a qualified electrical installer.
- Please read this guide in its entirety to fully understand the products before attempting any install.
- All electrical work should be completed in accordance with the latest IET regulations, and/or any other relevant rules, regulations or laws of the country in which it is being installed.
- The item must be installed in isolation from any insulating material and is adequately ventilated to prevent premature failure.
- Ensure power supply is isolated prior to installation, maintenance or performing any other form of electrical work.
- In the event of incorrect or improper function with specific regard to any of ALL LED's products, contact ALL LED for further advice.

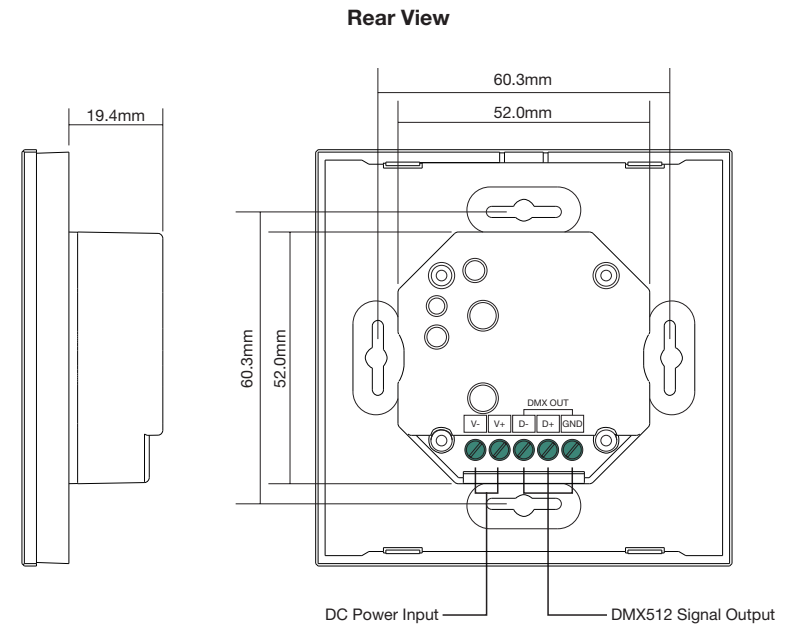
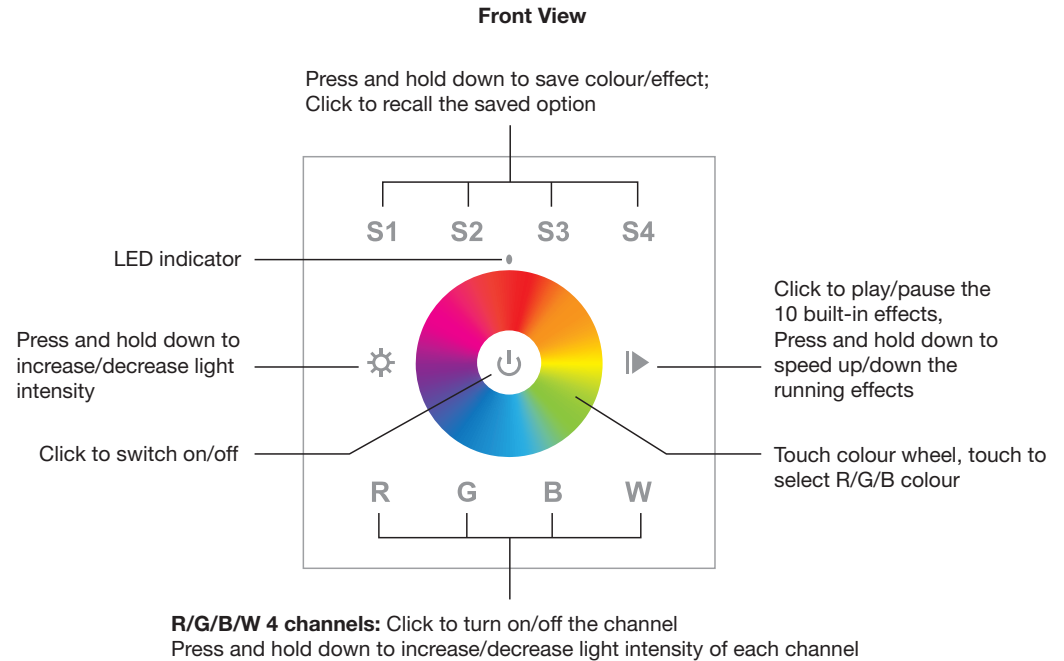
## Technical Specifications

Product Code	ASC/DMX/WS1/W	ASC/DMX/WS1/B
Operating Voltage (V)	12-24VDC	12-24VDC
Operating Current (mA)	20mA	20mA
Standby Power (W)	<0.5W	<0.5W
Class	II	II
Body Material	Polycarbonate/Glass	Polycarbonate/Glass
Ingress Protection	IP20	IP20
Ambient Operating Temperature (°C)	0°C~+45°C	0°C~+45°C
Guarantee	3	3
Dimming Mode	DMX512 Signal	DMX512 Signal

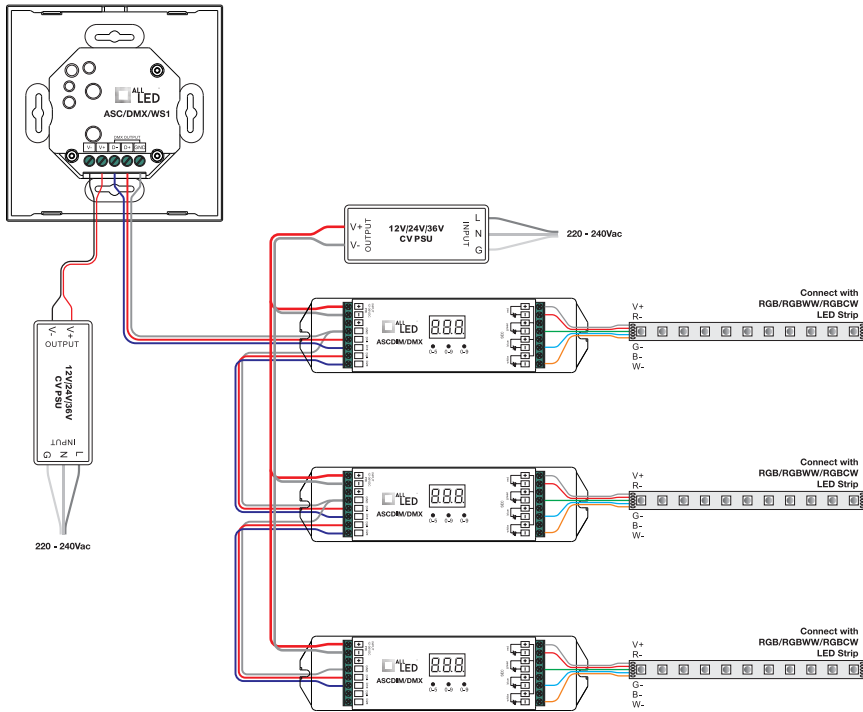
## Dimensions



## Function Introduction



# Wiring Diagram

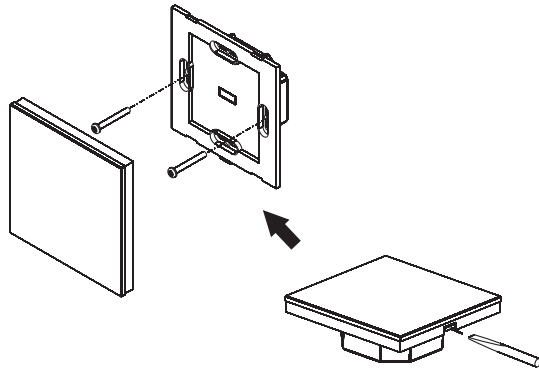


## Set DMX Address

One DMX master controller can control many DMX decoders, set all DMX decoders' address as 001.

Note: one DMX decoder has 4 channels, so it occupies 4 DMX addresses 001, 002, 003, 004.

# Installation



**ATTENTION**  
**IF ANY PROBLEMS PERSIST, PLEASE CALL THE ALL LED TECHNICAL DEPARTMENT FOR FURTHER ASSISTANCE.**

# Safety

- Do not cover the ground contact.
- Do not place any material over the lens or LED diode/chip.
- Do not clean using any solvent based abrasive or aggressive product.
- Do not pull any cables connected to the product.
- Light engines/LEDs and other light sources may heat up, please take care when handling the products.
- The manufacturer will not be deemed liable or held responsible for any damages caused by faults or manufacturing defects that may be present in any of its products or the misuse or incorrect installation of this device.
- The manufacturer will not be held liable for any death(s) or injuries caused by misuse or poor installation or any unreported faults of this product version or versions thereof.
- LEDs are sensitive to electrostatic discharge. Do not touch the surface of the LED module.
- Do not connect to a temporary electricity supply, this may damage the electronics.
- Light fittings with an integrated emergency option come with a separate installation and wiring leaflet. Please refer to this manual for further details. If the manual is unavailable please contact an ALL LED representative for assistance.

# Returns & Faulty Items

- If any problem is encountered during or after installation, please call the ALL LED technical department to get the problem resolved as soon as possible.
- Please do not just return the item to the outlet you purchased it from, as you are only entitled to a replacement or refund after the unit has undergone testing and the unit has been confirmed as having a manufacturing defect/fault. Your statutory rights are not affected.
- The manufacturer will not be deemed liable or held responsible for any damages caused by faults or manufacturing defects that may be present in any of its products or the misuse or incorrect installation of this device.
- All goods are supplied under the terms and conditions of ALL LED LTD, a copy of which may be obtained upon written request.



ALL LED LTD  
 42 Sedgwick Road,  
 Luton, LU4 9DT

www.allledgroup.com  
 sales@allledgroup.com  
 Tel: +44 (0)208 841 9000

Environmental Protection  
 Waste electrical products should not be disposed of with household waste. Please recycle where facilities exist. Check with your Local Authority or retailer for recycling advice



ISOLATE MAINS SUPPLY  
 BEFORE HANDLING ANY  
 ELECTRICAL PRODUCTS

The manufacturer will not be deemed liable or held responsible for any damages caused by faults or manufacturing defects that may be present in any of its products or the misuse or incorrect installation of this device  
 Your statutory rights are not affected.

