

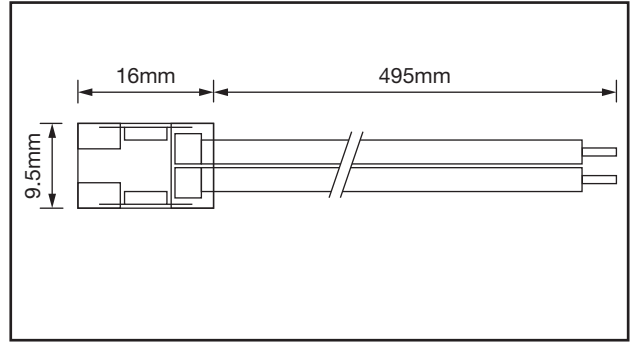
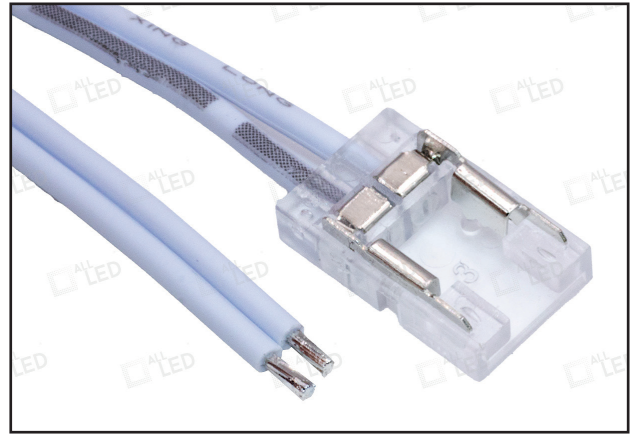
ASCC/COB8/LE

Live End Connector For COB LED Strip,
8mm PCB IP20, Strip To Cable

SEAMLESS™

PRODUCT FEATURES

- High Strength Polycarbonate Design
- Manufactured From Clear Optical Polycarbonate To Allow Maximum Light Transmission
- Self Puncturing Electrical Connections
- Faster Than Soldering
- Fits In Aluminium Profiles
- Suitable For 8mm PCBs



TECHNICAL SPECIFICATIONS

PRODUCT CODE	ASCC/COB8/LE
Circuit Board Suitability	8mm
Strip Compatibility	AST010/COB / AST09L/COB
Ingress Protection	IP20
Maximum Load	80W
Overall Length	0.5m

