

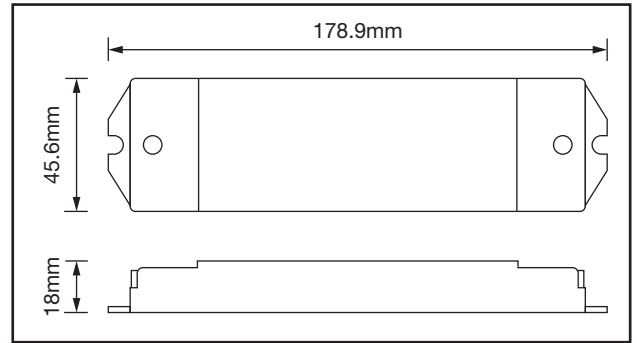
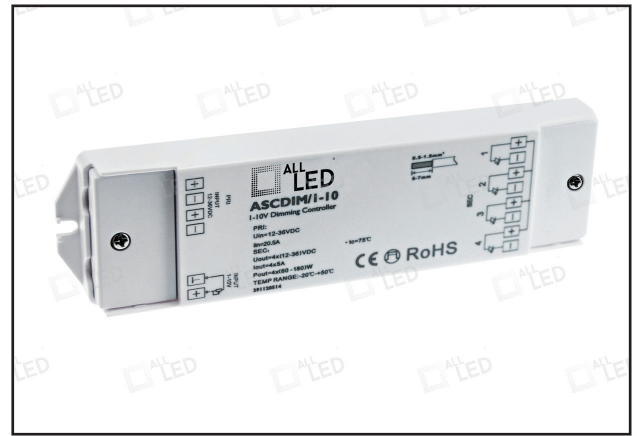
ASCDIM/1-10

1-10V Constant Voltage Dimming Unit
(20A)

StripMOD

PRODUCT FEATURES

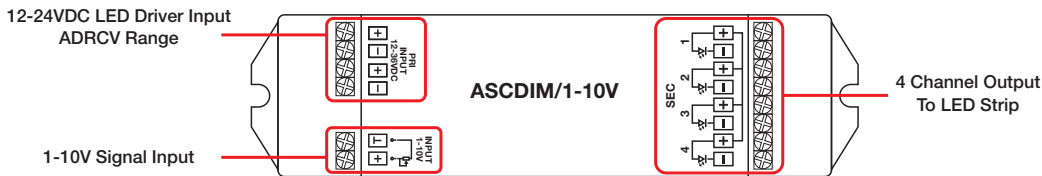
- Compatible With Any 1-10V System
- 1-100% Dimming Range
- Smooth Dimming
- High Performance
- 4 Channel 5A Output (4x60w At 12v / 4x120w at 24v)
- LED Driver & LED Strip Required



TECHNICAL SPECIFICATIONS

PRODUCT CODE	ASCDIM/1-10
Power Input Range	12-36VDC
Maximum Load (Output)	4 X 5A
Signal Type	1-10V
Ingress Protection	IP20
Operating Temperature	-10°C~+50°C

PRODUCT FEATURES



WIRING DIAGRAM

