

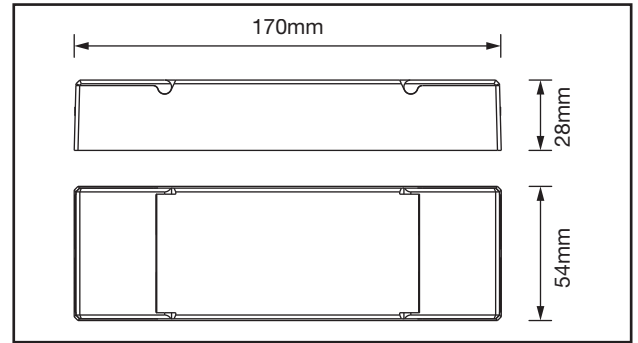
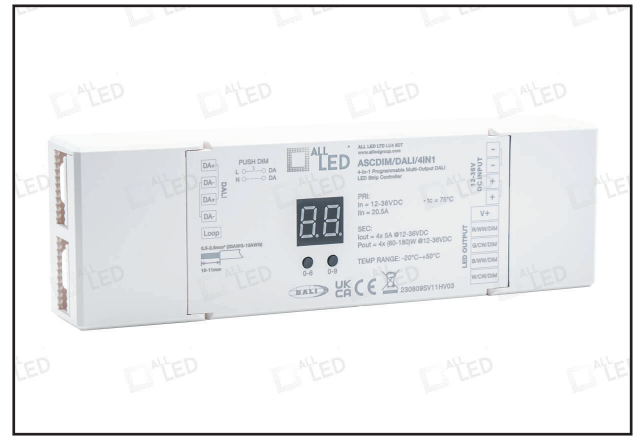
ASCDIM/DALI/4IN1

4-In-1 Programmable Multi-Output DALI LED Strip Controller

StripMod

PRODUCT FEATURES

- Compatible With DALI, DALI 2
- Retractive Switch Push To Dim Function - On/Off, Dimming And CCT, RGB(W) Colour Control
- Smooth Dimming
- High Performance
- 1 - 100% Dimming Range
- 4 Channels 5A Output (4x 60W At 12V / 4x 120W At 24V)
- Compatible With Single Colour / CCT / RGB / RGBW LED Strips



TECHNICAL SPECIFICATIONS

Product Code	ASCDIM/DALI/4IN1
Operating Voltage (V)	12-36V DC
Maximum Load (W)	12V DC - 4x 60W 24V DC - 4x 120W 36V DC - 4x 180W
Maximum Current (A)	4x 5A
Guarantee	3 Years
Class	II
Body Material	Polycarbonate
Frame Colour	White
Ingress Protection	IP20
Ambient Operating Temperature (°C)	-20°C~50°C

