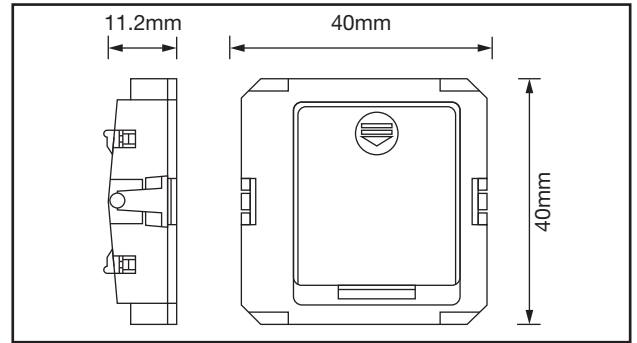
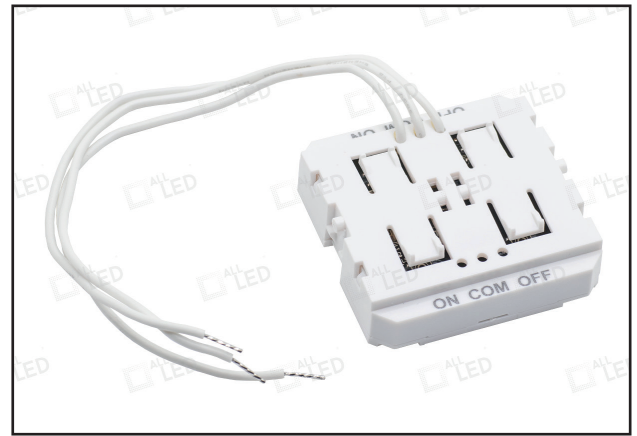


ASCRF/MOD

Wireless LED Strip Dimming Wall Switch Module

PRODUCT FEATURES

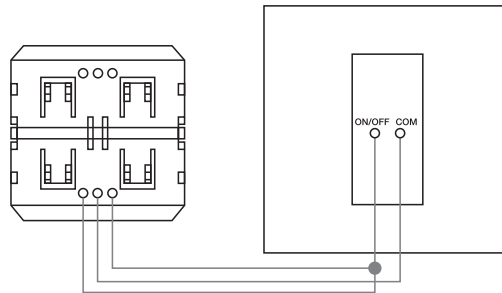
- Fits Behind Wall Switch, Can Be Used With A Centre Off Retractive Switch
- 20m Range (Uninterrupted)
- Long Life Battery (Included)
- For Use With All ASCRF Range



TECHNICAL SPECIFICATIONS

PRODUCT CODE	ASCRF/MOD
Battery Type	CR2430
Max Operating Distance	20m (Open Area)
Signal Type	RF
Ingress Protection	IP20
Operating Temperature	-10°C~+50°C

With 1 key push switch



With 2 keys push switch

