

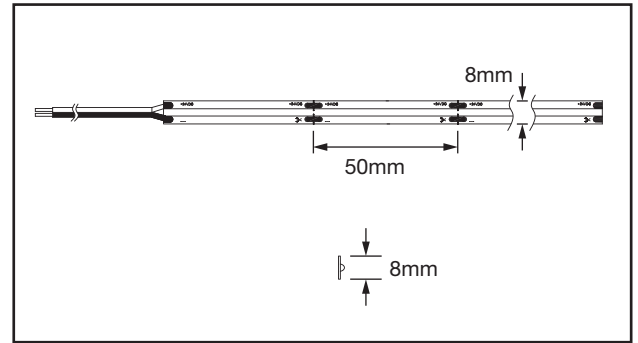
AST010/COB

10W/m IP20 COB Dotless LED Strip, 24V

SEAMLESS™

PRODUCT FEATURES

- Continuous And Even Dotless Light Effect
- High CRI 90 (For More Vibrant Effective Colours)
- Available In 2700K , 3000K , 4000K , 6000K
- IP Rating : IP20
- Dimmable* (When Used With A Dimmable Driver)
- Max Length Powered Single End 5M and 10M Double Ended
- Maximum 50mm Cut Points
- Customised Bespoke Service Available



TECHNICAL SPECIFICATIONS

PRODUCT CODE	AST010/COB/27	AST010/COB/30	AST010/COB/40	AST010/COB/60
Useful Luminous Flux (LM)	760lm/m	760lm/m	860lm/m	1020lm/m
CCT (Kelvin)	2700K	3000K	4000K	6000K
Beam Angle (°)	180°	180°	180°	180°
SDCM	<6	<6	<6	<6
CRI	>90	>90	>90	>90
Peak Intensity (cd)	173cd	166cd	185cd	235cd
Operating Voltage (V)	24VDC	24VDC	24VDC	24VDC
Max Output Power (W)	10W	10W	10W	10W
Operating Current (A max)	0.42A	0.42A	0.42A	0.42A
Class	III	III	III	III
Switching Cycles	>15,000	>15,000	>15,000	>15,000
Ingress Protection	IP20	IP20	IP20	IP20
Ambient Operating Temperature (°C)	-20°C ~ +40°C	-20°C ~ +40°C	-20°C ~ +40°C	-20°C ~ +40°C
Guarantee	3 Years	3 Years	3 Years	3 Years
Dimmable	Yes	Yes	Yes	Yes
Lifetime (L70 B50)	30,000 Hrs	30,000 Hrs	30,000 Hrs	30,000 Hrs
Cut Points	50mm	50mm	50mm	50mm
PCB Width	8mm	8mm	8mm	8mm
LED/m	480LED/m	480LED/m	480LED/m	480LED/m
Reel Length	40m	40m	40m	40m

