

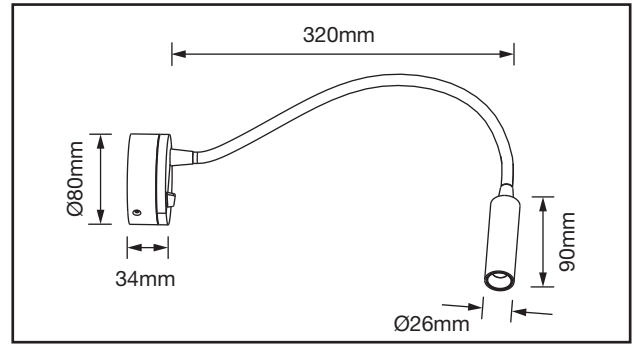
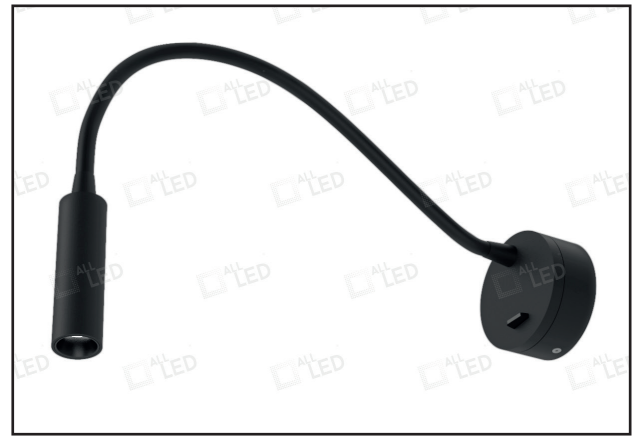
AWLG030BK/**

2W Carbon Black Wall Mounted Adjustable Neck LED Reading Light



PRODUCT FEATURES

- Flexible Black Silicone Arm
- Deep Recessed, Low Glare LED
- Matt Black Baffle
- Powdercoated Carbon Black Body
- Striking Contrasting Low Profile Switch
- Precision CNC Milled Base And Head
- Available In Carbon Black* Or Polar White*



TECHNICAL SPECIFICATIONS

| PRODUCT CODE | AWLG030BK/30 | AWLG030BK/40 |
|------------------------------------|---------------|---------------|
| Useful Luminous Flux (LM) | 140lm | 170lm |
| CCT (Kelvin) | 3000K | 4000K |
| Beam Angle (°) | 36° | 36° |
| SDCM | <6 | <6 |
| CRI | >80 | >80 |
| Peak Intensity | 320cd | 407cd |
| Operating Voltage (V) | 100-240VAC | 100-240VAC |
| Operating Current (A) | 0.1A | 0.1A |
| Output Voltage DC (V) | 2.87V | 2.87V |
| Output Current (A max) | 0.7A | 0.7A |
| Max Output Power (W) | 2W | 2W |
| Class | I | I |
| Body Material | Aluminium | Aluminium |
| Frame Colour | Carbon Black | Carbon Black |
| Switching Cycles | <100,000 | <100,000 |
| Ingress Protection | IP20 | IP20 |
| Ambient Operating Temperature (°C) | -20°C ~ +50°C | -20°C ~ +50°C |
| Input Frequency (Hz) | 50/60Hz | 50/60Hz |
| Guarantee | 3 Years | 3 Years |
| Life Time (L70 B50) | 50,000 Hrs | 50,000 Hrs |

