

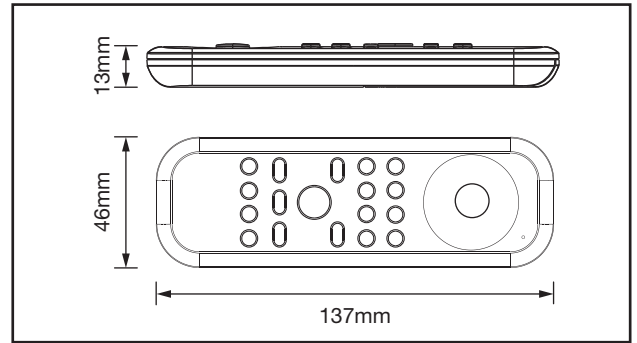
AiQ/RGBW/RMT

RGBW Smart Remote -
All In One Remote Control



PRODUCT FEATURES

- Supports 4 Zones & 8 Scenes
- Able To Control A Maximum Of 30 Devices
- Long Battery Life
- Can Be Used Independently Or In Conjunction With A Smart Hub



TECHNICAL SPECIFICATIONS

PRODUCT CODE	AiQ/RGBW/RMT
Protocol	Zigbee 3.0
Operation Voltage	6V
Battery Type	CR2032 x 2
Transmission Frequency	2.4 GHz
Transmission Range (Uninterrupted)	30m
Ingress Protection	IP20



*ZigBee Hub Required for Smart Functionality
*Hub Choice May Affect Product Functionality