

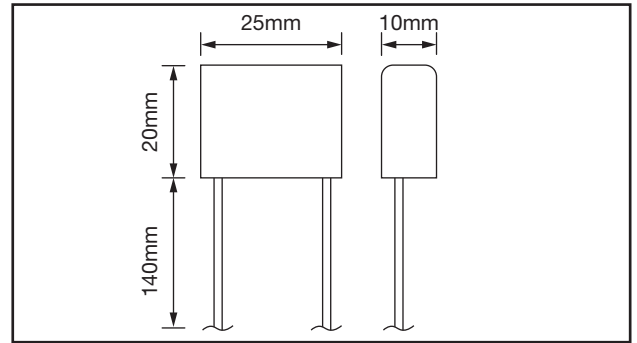
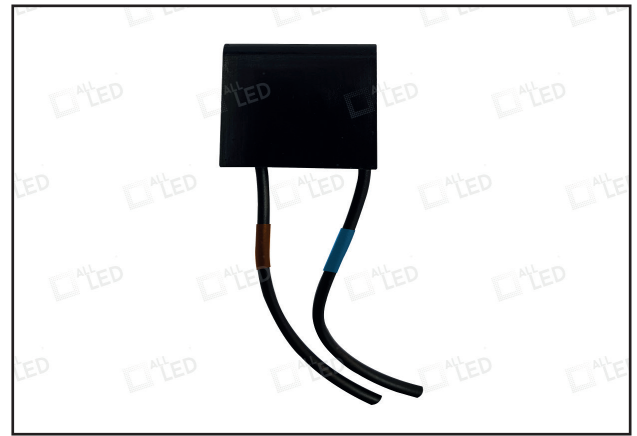
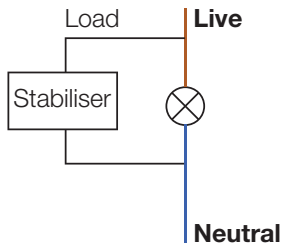
AiQ/STLOAD

Smart-SL - Load Stabiliser / Synthetic Load



PRODUCT FEATURES

- Compatible With SMART-R (AIQ/RLY1000M/LL & AIQ/DIM400M/LL) And SMART-E (AIQ/DIM400B/LL)
- Load Stabiliser
- For Use On Circuits With <7W Of Load (LED)
- Compact Size



TECHNICAL SPECIFICATIONS

PRODUCT CODE	AiQ/STLOAD
Operating Voltage	100 - 240VAC
Material	Polymer
Ingress Protection	IP20
Colour	Black