

Safety

- Do not cover the ground contact.
- Do not cover the luminaire, hang or fasten anything from it.
- Do not operate if any visible damage can be seen to the product.
- Do not operate if any water ingress has occurred.
- Do not operate if any smoke, steam or crackling noises can be heard from the luminaire.
- Do not operate if any signs of overheating are recognised.
- Avoid installation in any areas where there is a risk of strong mechanical loads.
- Do not place any material over the lens or LED diode/chip.
- Do not insert objects into the luminaire.
- Do not clean using any solvent based abrasive or aggressive product.
- Do not pull any cables connected to the product.
- Do not direct the luminaire into a persons eyes, as this unit may have an intense light output, which if incorrectly used may cause eye damage.
- Light engines/LED'S and other light sources may heat up, please take care when handling the products.
- The manufacturer will not be deemed liable or held responsible for any damages caused by faults or manufacturing defects that may be present in any of its products or the misuse or incorrect installation of this device. Please refer to our trouble shooting guide for further information.
- The manufacturer will not be held liable for any death(s) or injuries caused by misuse or poor installation or any unreported faults of this product version or versions thereof.
- LED's are sensitive to electrostatic discharge. Do not touch the surface of the LED module.
- Do not connect to a temporary electricity supply, this may damage the electronics.
- Light fittings with an integrated emergency option are with a separate installation and wiring leaflet. Please refer to this manual for further details. If the manual is unavailable please contact an ALL LED representative for assistance.
- It is strongly recommended that a Residual-Current Device (RCD) is used with this product to minimise the risk of electrocution.
- REPLACE DAMAGED PRODUCT IMMEDIATELY.
- Keep away from children.

Returns & Faulty Items

- If any problem is encountered during or after installation, please call ALL LED technical department to get the problem resolved ASAP.
- Please do not just return the item to the outlet you purchased it from, as you are only entitled to a replacement or refund after the unit has undergone testing and the unit has been confirmed as having a manufacturing defect/fault. Your statutory rights are not affected.
- The manufacturer will not be deemed liable or held responsible for any damages caused by faults or manufacturing defects that may be present in any of its products or the misuse or incorrect installation of this device. Please refer to our trouble shooting guide for further information.
- All installations must be carried out in accordance with this installation guide and user manual.
- All goods are supplied under the terms and conditions of ALL LED LTD, a copy of which may be obtained upon written request.



This product supplied with a limited guarantee, subject to terms and conditions. The manufacturer will not be deemed liable or held responsible for any damages caused by faults or manufacturing defects that may be present in any of its products or the misuse or incorrect installation of this device. Your statutory rights are not affected.

ALL LED LTD
42 Sedgwick Road,
Luton, LU4 9DT

www.allledgroup.com
sales@allledgroup.com
Tel: +44 (0)208 841 9000



Environmental Protection
Waste electrical products should not be disposed of with household waste. Please recycle where facilities exist. Check with your Local Authority or retailer for recycling advice

ISOLATE MAINS SUPPLY BEFORE HANDLING ANY ELECTRICAL PRODUCTS



INSTALLATION GUIDE ABH260/CCT



ENSURE POWER SUPPLY IS OFF WHEN HANDLING ANY ELECTRICAL EQUIPMENT.

- This product may need to be installed by a qualified electrical installer.
- Please read this guide in its entirety to fully understand the products before attempting any install.
- All electrical work should be completed in accordance with the latest IET regulations, and/or any other relevant rules, regulations or laws of the country in which it is being installed.
- The item must be installed in isolation from any insulating material and is adequately ventilated to prevent premature failure.
- Ensure power supply is isolated prior to installation, maintenance or performing any other form of electrical work.
- In the event of incorrect or improper function with specific regard to any of ALL LED's products and contact ALL LED for further advice.

SAFETY WARNING

- **ENSURE THE PROTECTIVE PLASTIC PLATE LOCATED ONTOP OF THE LED'S IS NEVER REMOVED OR TAMPERED WITH.**
- **IF THERE IS ANY VISIBLE DAMAGE TO THIS ITEM, PLEASE ENSURE THAT THE POWER IS SWITCHED OFF AND REMAINS OFF.**
- **DO NOT TOUCH THE LED CHIPS AT ANY POINT DURING, OR AFTER INSTALLATION OF THE LUMINAIRE AS THERE IS RISK OF ELECTRICAL SHOCK.**

Technical Specifications

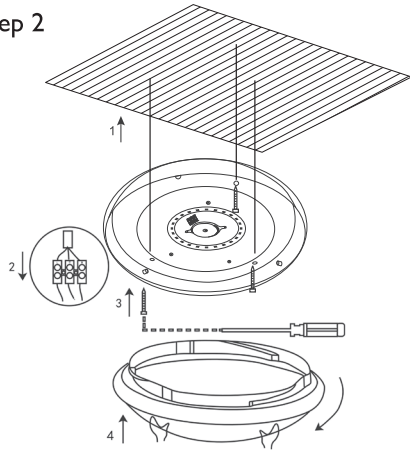
Product Code	ABH260/CCT
Frame Colour	White
Rated Power	12W
Operating Voltage	220-240VAC
Frequency	50-60Hz
CCT	3000K/ 4000K/ 6000K
CRI	≥80
PF	>0.5
Beam Angle	120°
Peak Intensity	280 Candelas
Lifetime	20,000H
Lumens	≤850 Lumens
Switching Cycles	15,000
Ambient Operating Temp	-20°~35°C
SDCM	<6
Ingress Protection	IP44

Installation

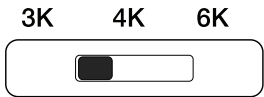
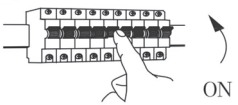
Step 1



Step 2



Step 3



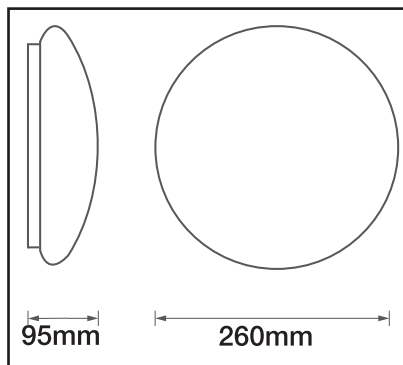
1. We recommend checking the installation with the products for suitability prior to installation.
2. Turn off power supply at source
3. Avoid any risk of electric shock.
4. Remove the top cover from the luminaire by firmly holding the metal base and twisting the diffuser in the anti clock wise direction.
5. Use the base plate to mark out and check the area receiving the luminaire.
6. Prepare the surface to receive the luminaire
7. Affix the base using a suitable method and according to the material/ surface you intend to mount the product onto
8. Wire the product into the lighting circuit according to relevant regulations.
9. Replace the diffuser, by placing it back on the base plate and turning it clockwise. N.B. Please ensure that no damage has taken place of the baseplate and/or any of its protective plastic covers
10. Turn the power supply back to the on position and check the luminaire is functioning.

Please note: All Emergency models have 4 terminals:
 Permanent Live
 Switched Live
 Neutral
 Earth

Please connect battery quick connector together after installation.

To select the required colour temperature, please use the switch on the LED PCB that is indicated with the respective colour.

Dimensions (mm)



Trouble Shooting Guide

PROBLEM	CAUSE(S)	SOLUTION(S)
No Light Output From LED's	No power to drive components	A qualified installer/electrician should check the Primary voltage side of the product to check the input voltage.
	Loose connection on circuit	Ensure continuous and correct connection between terminals.
	Overvoltage may have caused damage to the sensitive components	These cases are rare and the item may need replacement and/or investigation as to the cause of failure.
LED's Flashing	Incorrect voltage range being used	Please ensure there is a regulated AC voltage supply within the parameters of the luminaire. Failure to do so will void the warranty.
	LED driver may be connected to a mains dimmer switch	Please remove the dimmer switch and wire the unit to a switch, removing any mains dimmers or other dimmers on the primary side. Use of this product on a dimmer will void the warranty.
	Loose connection on circuit.	Ensure continuous and correct connection between the terminals.



ATTENTION

IF ANY PROBLEMS PERSIST, PLEASE CALL THE ALL LED TECHNICAL DEPARTMENT FOR FURTHER ASSISTANCE.