

# Safety

- Do not cover the ground contact.
- Do not place any material near the luminaire. Ensure a minimum distance of 0.5M.
- Do not insert objects into the luminaire.
- Do not clean using any solvent based abrasive or aggressive product.
- Do not pull any cables connected to the product.
- Do not direct the luminaire into a persons eyes, as this unit may have an intense light output, which if incorrectly used may cause eye damage.
- Light engines/LED'S and other light sources may heat up, please take care when handling the products.
- The manufacturer will not be deemed liable or held responsible for any damages caused by faults or manufacturing defects that may be present in any of its products or the misuse or incorrect installation of this device. Please refer to our trouble shooting guide for further information.
- The manufacturer will not be held liable for any death(s) or injuries caused by misuse or poor installation or any unreported faults of this product version or versions thereof.
- LED's are sensitive to electrostatic discharge. Do not touch the surface of the LED module.
- Do not connect to a temporary electricity supply, this may damage the electronics.
- Light fittings with an integrated emergency option are with a separate installation and wiring leaflet.
- Please refer to this manual for further details. If the manual is unavailable please contact an ALL LED representative for assistance.



PLEASE READ BEFORE USE!

## INSTALLATION GUIDE & USER MANUAL ASC/WIFI/WSW/1G



**ENSURE POWER SUPPLY IS OFF WHEN HANDLING ANY ELECTRICAL EQUIPMENT.**

This product may need to be installed by a qualified electrical installer. Please read this guide in its entirety to fully understand the products before attempting any install. All electrical work should be completed in accordance with the latest IET regulations, and/or any other relevant rules, regulations or laws of the country in which it is being installed. The item must be installed in isolation from any insulating material and is adequately ventilated to prevent premature failure. Ensure power supply is isolated prior to installation, maintenance or performing any other form of electrical work. The company MUST be contacted immediately for advice or swift resolution of any matters concerning any of ALL LED's products.

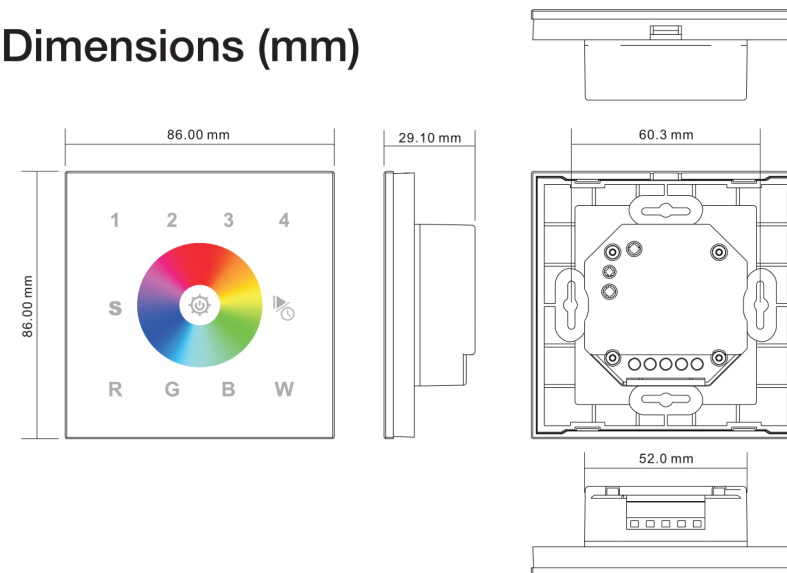
# Returns & Faulty Items

- If any problem is encountered during or after installation, please call ALL LED technical department to get the problem resolved ASAP.
- Please do not just return the item to the outlet you purchased it from, as you are only entitled to a replacement or refund after the unit has undergone testing and the unit has been confirmed as having a manufacturing defect/fault. Your statutory rights are not affected.
- The manufacturer will not be deemed liable or held responsible for any damages caused by faults or manufacturing defects that may be present in any of its products or the misuse or incorrect installation of this device. Please refer to our trouble shooting guide for further information.
- All installations must be carried out in accordance with this installation guide and user manual.
- All goods are supplied under the terms and conditions of ALL LED LTD, a copy of which may be obtained upon written request.

# Technical Specifications

<b>PRODUCT CODE</b>	<b>ASC/WIFI/WSW/1G</b>
Operation voltage	12-24V DC/ 100-240V AC
Operation Frequency	868MHz

# Dimensions (mm)



ALL LED LTD  
42 Sedgwick Road,  
Luton, LU4 9DT

www.allledgroup.com  
sales@allledgroup.com  
Tel: +44 (0)208 841 9000



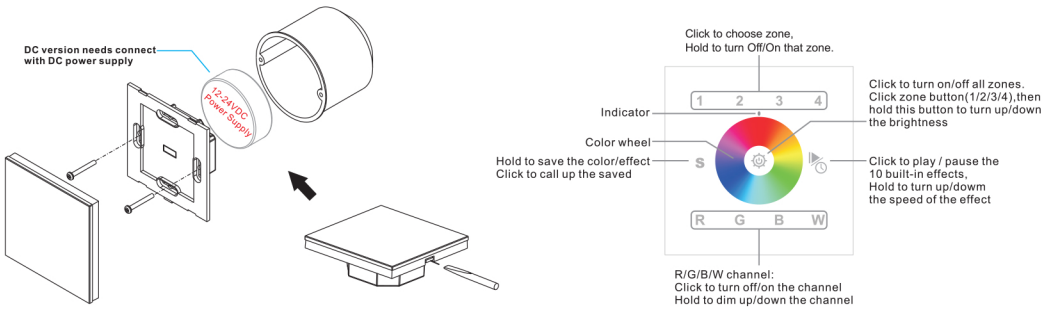
This product supplied with a limited 3 year guarantee, subject to terms and conditions. The manufacturer will not be deemed liable or held responsible for any damages caused by faults or manufacturing defects that may be present in any of its products or the misuse or incorrect installation of this device. Your statutory rights are not affected.



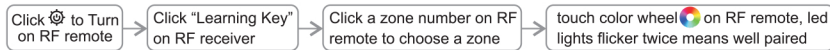
**Environmental Protection**  
Waste electrical products should not be disposed of with household waste. Please recycle where facilities exist. Check with your Local Authority or retailer for recycling advice



# Installation Instructions



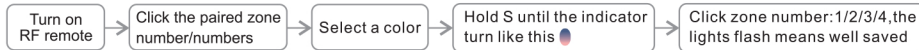
## 1. Pair with RF receivers:



## 2. Play the remote after pairing:



## 3. Save color/scene/mode:



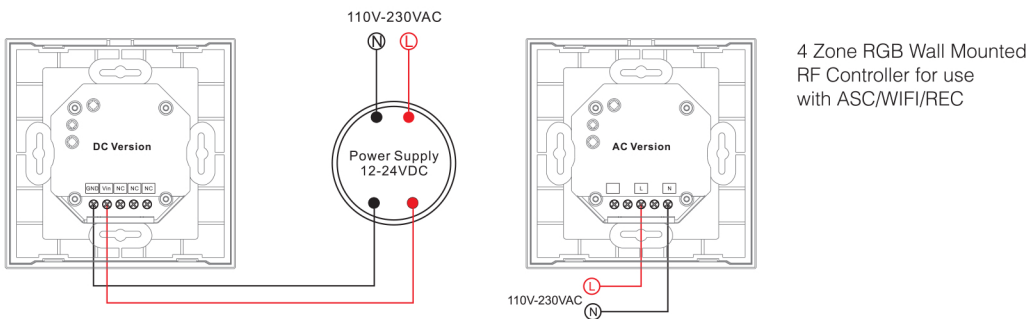
## 4. Call up the saved:



## 5. How to delete the pairing:

Power on the RF receiver, hold the "Learning Key" over 3 seconds until connected led lights flicker twice means well deleted.

# Wiring Diagram



# Notes

This remote controls 4 zones (areas) receivers, each zone can pair with countless receivers.  
1 receiver can be paired by max 8 different remote controls.

# Trouble Shooting Guide

PROBLEM	CAUSE(S)	SOLUTION(S)
No Light Output From LED's	No power to drive components	A qualified installer/electrician should check the Primary voltage side of the product to check the input voltage.
	Loose connection on circuit	Ensure continuous and correct connection between terminals.
	Incorrect Polarity	Check the black and red cables on the circuit,+ and - respectively are correctly connected to the correct terminals.
	No output from the driver	Driver may be faulty and require replacement.
	Overvoltage may have caused damage to the sensitive components	These cases are rare and the item may need replacement and/or investigation as to the cause of failure.
	No Battery/End of battery life	Insert/Replace battery.
	Devices not paired	Pair devices using instructions.
LED's Flashing	Incorrect driver being used for the product	Please only use drivers designed for this product. Failure to do so will void the warranty.
	LED driver may be connected to a mains dimmer switch	Please remove the dimmer switch and wire the unit according to the wiring diagram on the opposite page, removing any mains dimmers or incompatible dimming on the primary side. Use of this product on a dimmer will void the warranty.
	Loose connection on circuit.	Ensure continuous and correct connection between the terminals.



## ATTENTION

**IF ANY PROBLEMS PERSIST, PLEASE CALL THE ALL LED TECHNICAL DEPARTMENT FOR FURTHER ASSISTANCE.**