

Safety

- Do not cover the ground contact.
- Do not place any material over the lens or LED diode/chip.
- Do not insert objects into the luminaire.
- Do not clean using any solvent based abrasive or aggressive product.
- Do not pull any cables connected to the product.
- Do not direct the luminaire into a persons eyes, as this unit may have an intense light output, which if incorrectly used may cause eye damage.
- Light engines/LED'S and other light sources may heat up, please take care when handling the products.
- The manufacturer will not be deemed liable or held responsible for any damages caused by faults or manufacturing defects that may be present in any of its products or the misuse or incorrect installation of this device. Please refer to our trouble shooting guide for further information.
- The manufacturer will not be held liable for any death(s) or injuries caused by misuse or poor installation or any unreported faults of this product version or versions thereof.
- LED's are sensitive to electrostatic discharge. Do not touch the surface of the LED module.
- Do not connect to a temporary electricity supply, this may damage the electronics.
- Light fittings with an integrated emergency option are with a separate installation and wiring leaflet. Please refer to this manual for further details. If the manual is unavailable please contact an ALL LED representative for assistance.

Returns & Faulty Items

- If any problem is encountered during or after installation, please call ALL LED technical department to get the problem resolved ASAP.
- Please do not just return the item to the outlet you purchased it from, as you are only entitled to a replacement or refund after the unit has undergone testing and the unit has been confirmed as having a manufacturing defect/fault. Your statutory rights are not affected.
- The manufacturer will not be deemed liable or held responsible for any damages caused by faults or manufacturing defects that may be present in any of its products or the misuse or incorrect installation of this device. Please refer to our trouble shooting guide for further information.
- All goods are supplied under the terms and conditions of ALL LED LTD, a copy of which may be obtained upon written request.



INSTALLATION GUIDE & USER MANUAL ASCRF/RGBW/REC



ENSURE POWER SUPPLY IS OFF WHEN HANDLING ANY ELECTRICAL EQUIPMENT

- This product may need to be installed by a qualified electrical installer.
- Please read this guide in its entirety to fully understand the products before attempting any install.
- All electrical work should be completed in accordance with the latest IET regulations, and/or any other relevant rules, regulations or laws of the country in which it is being installed.
- The item must be installed in isolation from any insulating material and is adequately ventilated to prevent premature failure.
- Ensure power supply is isolated prior to installation, maintenance or performing any other form of electrical work.
- In the event of incorrect or improper function with specific regard to any of ALL LED's products and contact ALL LED for further advice.

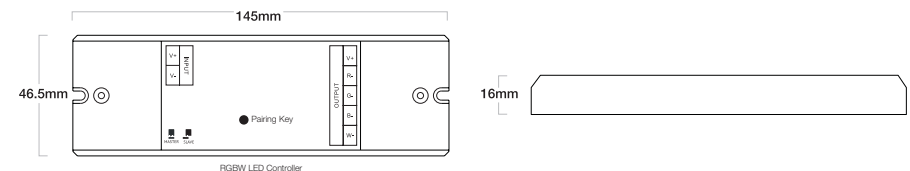
Technical Specifications

Product Code	ASCRF/RGBW/REC
Power Input Range	12-24VDC
Maximum Load (Output)	4x5A
Signal Type	RF
IP	IP20
Maximum Load	240W@12V DC 480W@24V DC
Range	30m Uninterrupted

Safety & Warnings

- DO NOT install with power applied to device.
- DO NOT expose the device to moisture.

Dimensions



Environmental Protection
Waste electrical products should not be disposed of with household waste. Please recycle where facilities exist. Check with your Local Authority or retailer for recycling advice



www.allledgroup.com

ALL LED LTD
Unit D1 Braintree Industrial Estate
Braintree Road
Ruislip
HA4 0EJ

www.allledgroup.com
sales@allledgroup.com
Tel: +44 (0)208 841 9000

This product supplied with a limited 3 year guarantee, subject to terms and conditions. The manufacturer will not be deemed liable or held responsible for any damages caused by faults or manufacturing defects that may be present in any of its products or the misuse or incorrect installation of this device. Your statutory rights are not affected.



Installation Instructions

QUICK INSTALL GUIDE

Pairing Single Press



Wipe Memory: 3 Seconds Hold Button Down



IT IS ADVISED TO KEEP THE LED DRIVERS POWERED ON CONSTANTLY TO MAINTAIN THE PAIRING MEMORY.

1. Wire receiver as per diagram above and power on.
2. Insert batteries (3xAAA, not included) into the remote control.
3. Press the pairing key - this puts the receiver into a 'learning mode'.
4. Immediately touch the colour wheel on the remote control.
5. Observe the LED's they should flash twice to indicate successful pairing.

NOTE:

To wipe the memory of a receiver, please hold the Pairing key for 3 seconds while powered on until the LED load flashes twice to indicate the memory has been deleted successfully.

Master/Slave Jumper

It is a group of multiple receivers, to enable correct synchronisation of all the units, use the jumper switch to set ONE unit as a MASTER unit and the rest of the units as SLAVE.

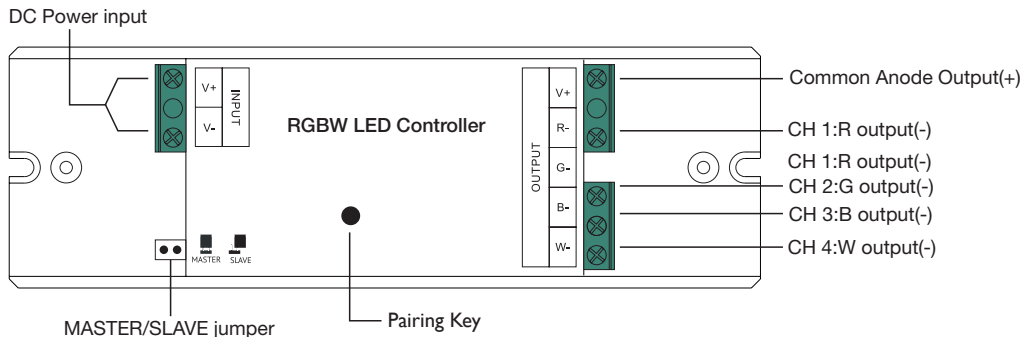
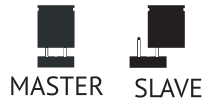
NOTE:

After setting one unit to MASTER - YOU MUST POWER THE ENTIRE SYSTEM OFF VIA THE INPUT SIDE FOR THE CHANGES TO TAKE EFFECT.

MAXIMUM OF 8 REMOTE CONTROLS CAN BE PAIRED WITH ONE RECEIVER.



This system uses RF technology and its recommended to keep the receiver and remotes away from any steel or metal mesh as this will disrupt and weaken the signal.



Trouble Shooting Guide

PROBLEM	CAUSE(S)	SOLUTION(S)
No Light Coming From LED's	No power to drive components.	A qualified installer/electrician should check the Primary voltage side of the product to check the input voltage.
	Loose connection on primary side.	Ensure continuous and correct connection between terminals.
	Loose or switched connection/polarity on secondary side.	Ensure continuous and correct connection between terminals. Ensure the polarity is correct; (Red = +, Black = -).
	No output from the driver.	Driver may be faulty and require replacement.
LED's Flashing	Over voltage may have caused damage to the sensitive LED drive components.	These cases are rare and the item may need replacement and/or investigation as to the cause of failure.
	Unstable or incorrect input voltage.	Please only use a stable voltage supply as stipulated earlier for this product. Failure to do so will void the warranty.
	LED driver may be connected to a dimmer switch	Please remove the dimmer switch. Use of this product on a dimmer will void the warranty. This product is supplied non-dimmable as standard.
	Loose connection on primary side.	Ensure continuous and correct connection between the terminals.
	Loose connection on secondary side.	Ensure continuous and correct connection between terminals. Ensure the polarity is correct; (Red = +, Black = -).



ATTENTION

IF ANY PROBLEMS PERSIST, PLEASE CALL THE ALL LED TECHNICAL DEPARTMENT FOR FURTHER ASSISTANCE.