

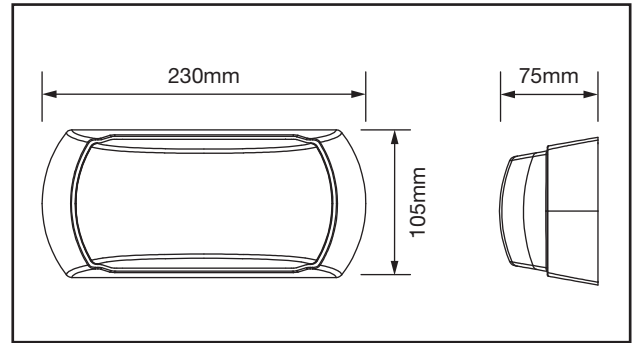
## ABHW012/CCT

12W LED IP65 IK08 Coastal  
CCT Selectable Bulkhead



### PRODUCT FEATURES

- IP65 Rating
- IK08 High Impact Durable Polycarbonate Housing
- CCT Selectable (3000K/4000K/6000K)
- Wall and Ceiling Mounting
- Pre-Moulded Cable Knockout
- Black and White Standard Trims Included
- Additional Decorative Trims Available\*
- Polycarbonate Body Ideal For Coastal Applications



### TECHNICAL SPECIFICATIONS

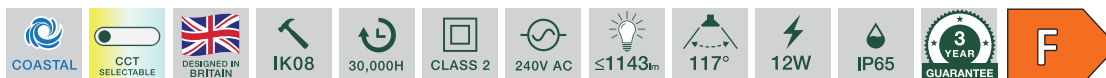
PRODUCT CODE	ABHW012/CCT		
Useful Luminous Flux (LM)	1036lm	1143lm	1027lm
CCT (Kelvin)	3000K	4000K	6000K
Peak Intensity (cd)	266cd	291cd	261cd
Beam Angle (°)	117°		
SDCM	0.8		
CRI	≥83		
Operating Voltage (V)	220-240V AC		
Max Output Power (W)	12W		
Operating Current (A max)	0.15A		
Standby Power (W)	≤0.5W		
Power Factor (Pf)	>0.9		
Class	II		
Body Material	Polycarbonate		
Frame Colour	White		
Switching Cycles	15,000		
Ingress Protection	IP65		
Ambient Operating Temperature (°C)	-20°C ~ +40°C		
Input Frequency (Hz)	50/60Hz		
Guarantee	3 years		
Lifetime (L70 B50)	30,000 Hrs		
R9 Colour Rendering Index Value	11		
Survival Factor	0.9		
Lumen Maintenance Factor	96%		
Displacement Factor	>0.9		
Flicker Metric (PstLM)	<1.0		
Stroboscopic Effect Metric (SVM)	<0.4		



**Black Decorative Trim Pack\***  
ABHW012BZ/BK



**White Decorative Trim Pack\***  
ABHW012BZ/WH



\*Sold Separately