

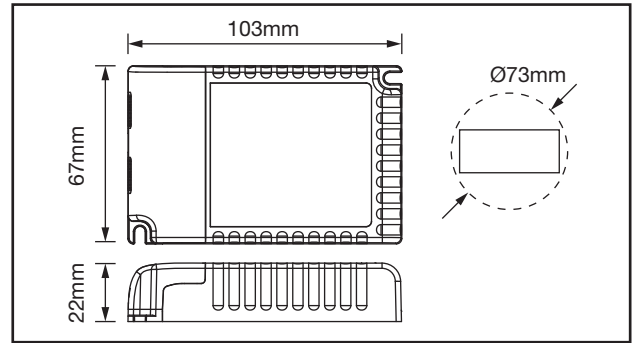
ADRCC30D/300-900MA

30W Universal DALI / DALI2 /
(0)1-10V / Push Dimming Constant
Current Driver

UNIDRIVE-CC

PRODUCT FEATURES

- DALI, DALI2, (0)1-10V, Retractive Push Dimming All-In-One Unit
- Selectable Constant Current Output By DIP Switch
- Wide Output Voltage
- Short Circuit / Over Temperature / Over Voltage Protection



TECHNICAL SPECIFICATIONS

PRODUCT CODE	ADRCC30D/300-900MA
Operating Voltage	220-240VAC
Operating Current (A max)	0.16A
Max Output Power	30W
Current / Output Power / Voltages	300mA, 2.7-17W, (9-58VDC)
	350mA, 3-20W, (9-58VDC)
	400mA, 3.6-23W, (9-58VDC)
	450mA, 4-26W, (9-58VDC)
	500mA, 4.5-29W, (9-58VDC)
	550mA, 5-30W, (9-55VDC)
	600mA, 5.4-30W, (9-50VDC)
	650mA, 5.8-30W, (9-46VDC)
	700mA, 6.3-30W, (9-42VDC)
	750mA, 6.7-30W, (9-40VDC)
	800mA, 7.2-30W, (9-38VDC)
	850mA, 7.6-30W, (9-35VDC)
900mA, 8.1-30W, (9-34VDC)	
Output Voltage (Max)	68VDC
Power Factor	0.95
Efficiency %	82%
No Load Power (W)	<0.5W
Dimming %	2%-100%
Class	II
Body Material	Polycarbonate
Switching Cycles	100,000
Frame Colour	White
Ingress Protection	IP20
Ambient Operating Temperature (°C)	-25°C ~ +50°C
Input Frequency (Hz)	50/60Hz
Guarantee	5 Years
Dimming Protocol	PUSH DIM, (0) 1-10V, DALI
Lifetime	50,000 Hrs

