

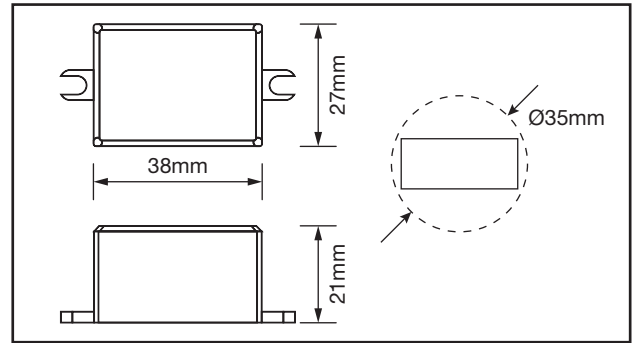
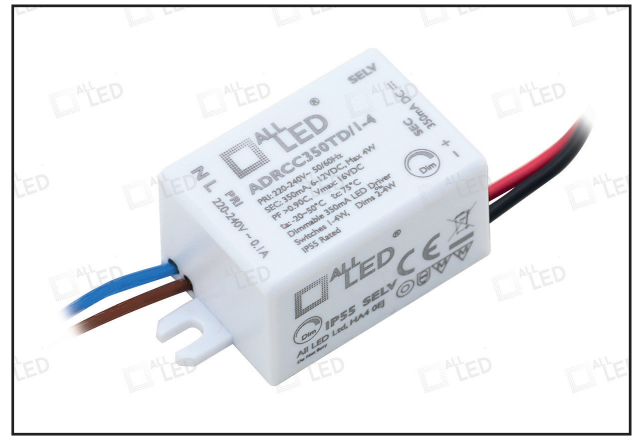
## ADRCC350TD/1-4

1-4W Dimmable 350mA  
Constant Current LED Driver

# Drive350

### PRODUCT FEATURES

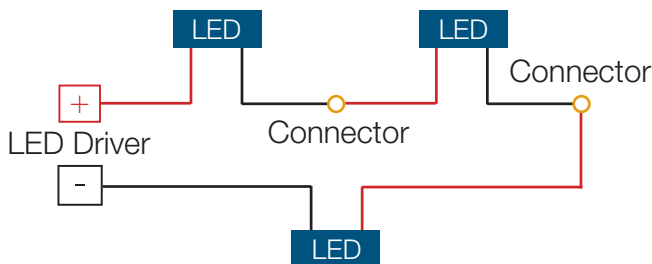
- Compact Size
- Dimmable
- Flicker Free Dimming Pre-Wired Cables
- Max. DC Loom Length 200m (1.5mm<sup>2</sup> Cable)
- Load:
  - 1...4 PCS x 1W LED (350mA)
  - 1 PC x 3W LED (350mA)



### TECHNICAL SPECIFICATIONS

PRODUCT CODE	ADRCC350TD/1-4
Operating Voltage	220-240VAC
Input Current	0.03A
Input Frequency	50/60Hz
Power Factor	≥0.9
No-load Power	≤1.0W
Output Voltage	6 - 12VDC
Output Current	350mA
Output Power	4W
Operating Temperature (°C)	-20°C ~ +50°C
Lifetime	30,000 Hrs

### SERIES WIRING DIAGRAM



SERIES WIRING  
350mA

DESIGNED IN  
BRITAIN

IP20

240V AC

INDOORS  
ONLY

CLASS 2

1-4W

DIM

3  
YEAR  
GUARANTEE