

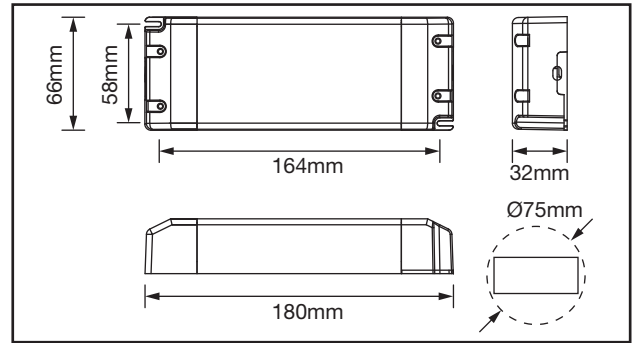
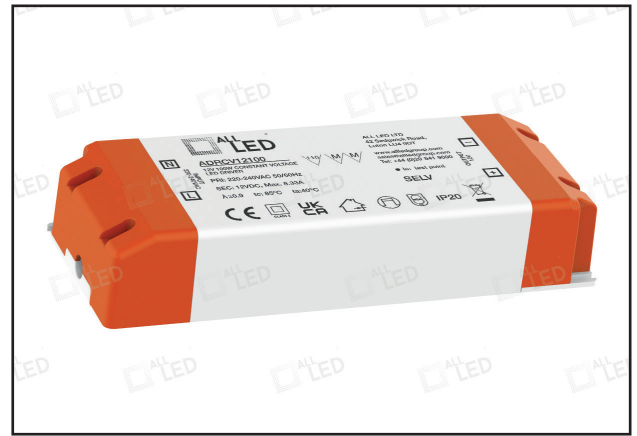
ADRCV12100

100W 12V DC
Constant Voltage LED Driver

Drive12

PRODUCT FEATURES

- 12V Constant Voltage LED Power Supply
- Over Temperature Protection
- Overload Protection
- No Load Protection
- Regulated Output
- SELV Rated



TECHNICAL SPECIFICATIONS

Product Code	ADRCV12100
Operating Voltage	220-240V
Operating Current (A Max)	0.5A
Max Output Power	0 - 100W
Output Current (Max)	8.33A
Output Voltage	12Vdc
Power Factor	>0.9
Efficiency %	90%
No Load Power (W)	<0.5W
Dimmable	No
Class	II
Body Material	Polymer
Frame Colour	White (Orange Caps)
Switching Cycles	>100,000
Ingress Protection	IP20
Ambient Operating Temperature (°C)	-20°C ~ +50°C
Input Frequency (Hz)	50/60Hz
Guarantee	3 Years
Lifetime	30,000 Hrs
Displacement Factor	>0.9
Inrush Current	89A, 1.26µs
Over Temperature Protection	Yes
Overload Protection	Yes
No Load Protection	Yes

