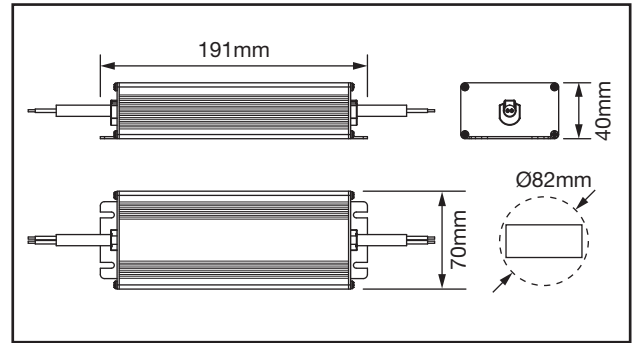
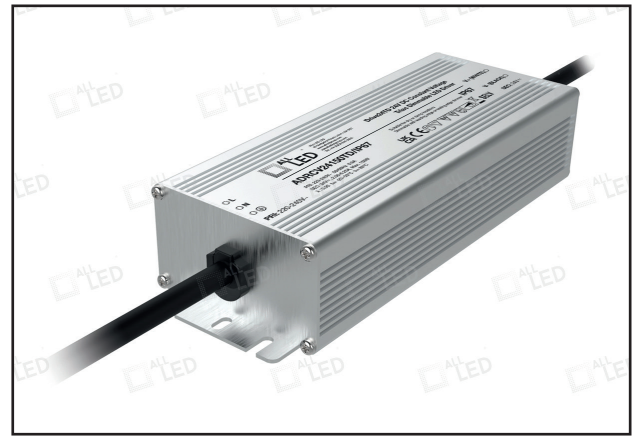


ADRCV24150TD/IP67

Drive24TD 24V DC Constant Voltage
Triac Dimmable LED Driver

PRODUCT FEATURES

- Constant Voltage
- Advanced Dimming Compatibility
- IP67 Rated
- Over Temperature Protection
- Overload Protection
- No Load Protection/Open Circuit Protection
- Short Circuit Protection



TECHNICAL SPECIFICATIONS

PRODUCT CODE	ADRCV24150TD/IP67
Operating Voltage	220-240VAC
Operating Current (A max)	0.9A
Max Output Power	7.5 - 150W
Output Current (Max)	6.25A
Output Voltage	24Vdc
Power Factor	>0.95
Efficiency %	89%
No Load Power (W)	<0.5W
Class	I
Body Material	Extruded Aluminium
Frame Colour	Silver
Switching Cycles	100,000
Ingress Protection	IP67
Ambient Operating Temperature (°C)	-20°C ~ +50°C
Input Frequency (Hz)	50/60Hz
Guarantee	3 Years
Dimmable	Yes
Dimming Mode	Trailing & Leading
Output Type	Constant Voltage
Lifetime	50,000 Hrs
Max. Units Per Circuit Breaker	B10A:3 / B16A:4 / C10A:6 / C16A:9
Inrush Current	40A Max. Duration 100µs
Over Temperature Protection	Yes
Over Load Protection	Yes
No Load Protection	Yes

