

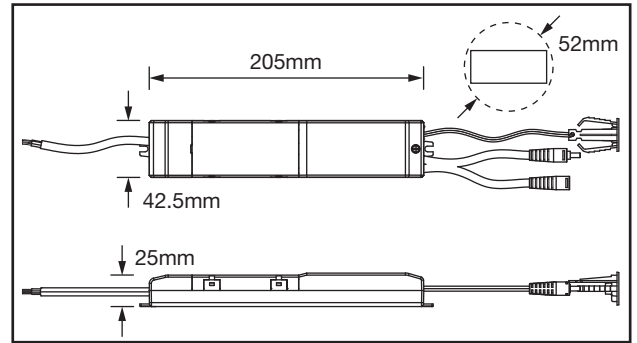
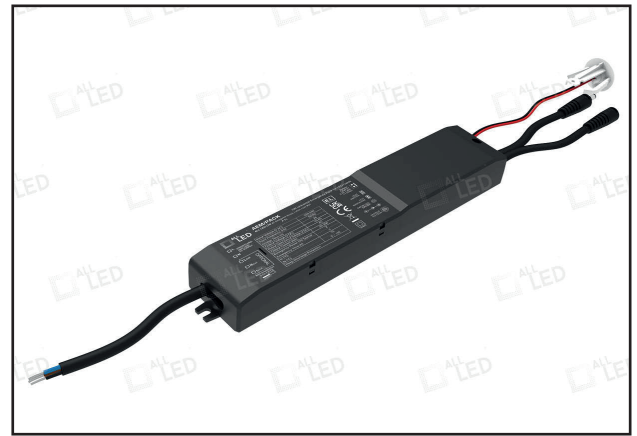
AEM/PACK

Universal Emergency Pack
for LED Loads

EMPack

PRODUCT FEATURES

- >3 Hour Duration
- Lithium LifePO4 Battery
- Remote Indicator & Mounting Collar
- Wide Compatibility, Including 24V LED Strips
- Up To 150W Load Supported (LED Strip Only)
- Can Be Wired As Maintained Or Non-Maintained



TECHNICAL SPECIFICATIONS

| PRODUCT CODE | AEM/PACK |
|------------------------------------|-------------|
| Operating Voltage | 220-240V AC |
| Operating Current (A Max) | 0.05A |
| Max Output Power | 2W |
| Output Current Range | 30-200mA |
| Output Voltage Range | 10-60V DC |
| PF | ≥0.5 |
| Class | II |
| Body Material | Polymer |
| Frame Colour | Black |
| Ambient Operating Temperature (°C) | 0°C~50°C |
| Input Frequency (Hz) | 50Hz / 60Hz |
| Guarantee | 5 Years |
| Charge Time | 24H |
| Battery Type | LifePO4 |
| Battery Voltage | 6.4V |
| Battery Current | 2 x 1800mAH |
| Battery Capacity | 11.52wH |
| Emergency Duration | 3 Hrs |
| Indicator Cutout | 20mm |

