

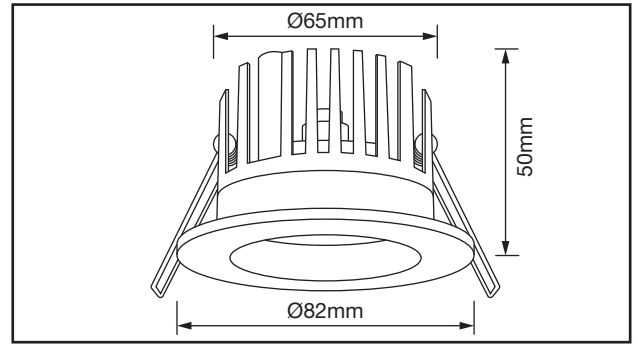
AFD010D

Fixed 10W IP65 Dimmable LED
Fire Rated Downlight



PRODUCT FEATURES

- 30, 60, 90 Minutes Fire Rated Timber Joist
- Compliant To; Part B - Fire, Part C - Moisture, Part E - Acoustic & Part L Air Leakage
- Integrated 10W CREE COB LED
- Low Glare Design
- IP65 Rated
- Halogen Style Lens
- Interchangeable Twist & Lock Bezels
- Excellent Dimming Compatibility



Standard
AFD010D/**

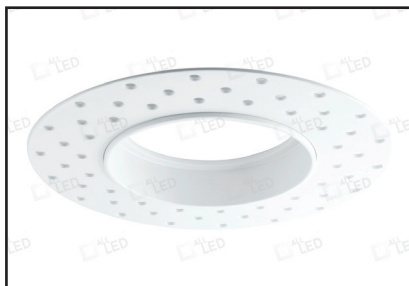
DALI
AFD010D/**/DALI

TECHNICAL SPECIFICATIONS

PRODUCT CODE	AFD010D/30	AFD010D/40
Luminous Flux (LM)	980lm	1000lm
Useful Luminous Flux (LM)	860lm	880lm
CCT (Kelvin)	3000K	4000K
Beam Angle (°)	40°	40°
SDCM	<4	<4
CRI	80	80
Peak Intensity (cd)	1860cd	1880cd
Operating Voltage (VAC)	220-240V	220-240V
Max Output Power (W)	10W	10W
Operating Current (A max)	260mA	260mA
Class	II	II
Body Material	Cast Aluminium	Cast Aluminium
Cut Out	65mm	65mm
Frame Colour	White + Black	White + Black
Switching Cycles	≤100,000	≤100,000
Ingress Protection	IP65	IP65
Ambient Operating Temperature (°C)	-20~+45°C	-20~+45°C
Input Frequency (Hz)	50/60Hz	50/60Hz
Guarantee	3 Years	3 Years
Dimmable	Yes	Yes
Lifetime (L70 B50)	> 50,000 Hrs	> 50,000 Hrs
R9 Colour Rendering Index Value	66	66
Lumen Maintenance Factor	96%	96%

ACCESSORIES*

**Trimless
Plaster-In Kit
AFD010TK
95 mm Cutout**



Bezels



*Sold Separately

