

Safety

- Do not cover any earth contacts.
- Do not insert foreign into the item.
- Do not clean using any solvent based abrasive or aggressive product.
- Do not pull any cables connected to the product.
- Some products including Light engines/LEDs and other light sources may become hot in operating, please take care when handling the products.
- The manufacturer will not be deemed liable or held responsible for any damages caused by faults or manufacturing defects that may be present in any of its products or the misuse or incorrect installation of this device. Please refer to our trouble shooting guide for further information.
- The manufacturer will not be held liable for any death(s) or injuries caused by misuse or poor installation or any unreported faults of this product version or versions thereof.
- Do not connect to a temporary electricity supply, this may damage the electronics.



ENSURE POWER SUPPLY IS OFF WHEN HANDLING ANY ELECTRICAL EQUIPMENT.

Returns & Faulty Items

- If any problem is encountered during or after installation, please call ALL LED technical department to get the problem resolved as soon as possible.
- Please do not just return the item to the outlet you purchased it from, as you are only entitled to a replacement or refund after the unit has undergone testing and the unit has been confirmed as having a manufacturing defect/fault. Your statutory rights are not affected.
- The manufacturer will not be deemed liable or held responsible for any damages caused by faults or manufacturing defects that may be present in any of its products or the misuse or incorrect installation of this device. Please refer to our trouble shooting guide for further information.
- All installations must be carried out in accordance with this installation guide and user manual.
- All goods are supplied under the terms and conditions of ALL LED LTD, a copy of which may be obtained upon written request.



www.allledgroup.com

ALL LED LTD
42 Sedgwick Road,
Luton, LU4 9DT

www.allledgroup.com
sales@allledgroup.com
Tel: +44 (0)208 841 9000

Environmental Protection
Waste electrical products should not be disposed of with household waste. Please recycle where facilities exist. Check with your Local Authority or retailer for recycling advice.

The manufacturer will not be deemed liable or held responsible for any damages caused by faults or manufacturing defects that may be present in any of its products or the misuse or incorrect installation of this device. Your statutory rights are not affected.



INSTALLATION GUIDE AFD75



ENSURE POWER SUPPLY IS OFF WHEN HANDLING ANY ELECTRICAL EQUIPMENT.

- This product may need to be installed by a qualified electrical installer.
- Please read this guide in its entirety to fully understand the products before attempting any install.
- All electrical work should be completed in accordance with the latest IET regulations, and/or any other relevant rules, regulations or laws of the country in which it is being installed.
- The item must be installed in isolation from any insulating material and is adequately ventilated to prevent premature failure.
- Ensure power supply is isolated prior to installation, maintenance or performing any other form of electrical work.
- In the event of incorrect or improper function with specific regard to any of ALL LED's products and contact ALL LED for further advice.

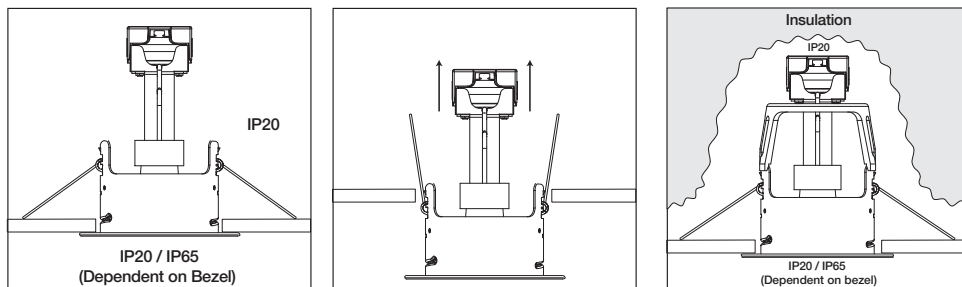
Technical Specifications

Product Code	AFD75
Ingress Protection	IP20 / IP65 (Bezel Dependent)
Guarantee	Lifetime
Maximum Rated Power / Lamp Holder	GU10 50W Max (35W IP65) Halogen, Max 10W LED
Fire Rating	30, 60 and 90 Minutes
Class	I
Fire Rating Standard	BS EN 1365-2
Insulation Cover	AFD75/IC (Sold Separately)



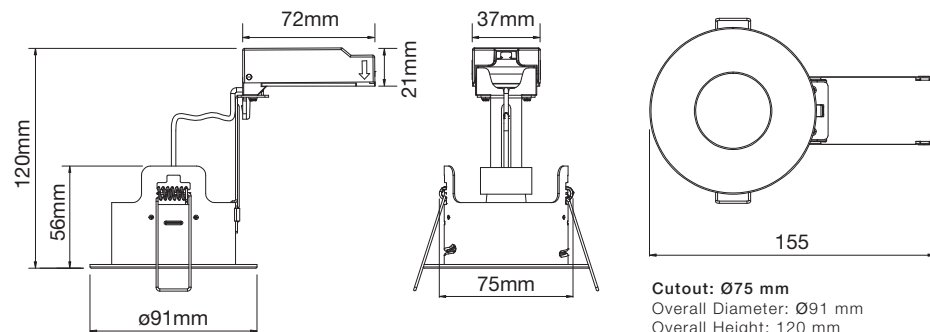
Installation Instructions

1. We recommend checking the installation with the products for suitability prior to installation.
2. Turn off power supply at source to avoid any risk of electric shock.
3. Using appropriate technique cut a suitable hole in the ceiling (see dimensions below for cut-out).
4. If there is any insulation (wool type), please use a suitable IC cover ([AFD75/IC](#))
5. Connect the lamp holder to the cables and clamp the cables down.
6. Install compatible GU10 lamp by twist opening the bezel. Insert the lamp securely into the seating.
7. Install the bezel (lock clockwise, unlock anti-clockwise). Take care to place silicon gaskets in place for IP rated bezels to retain IP rating.
8. Turn the power on to test function. After the test is finished, turn power off.
9. Carefully hold back the two springs to insert the downlight into the hole. The clips will hold the downlight in place.



*If using with insulation please use IC Cover ([AFD75/IC](#))

Dimensions (mm)



Cutout: Ø75 mm
Overall Diameter: Ø91 mm
Overall Height: 120 mm

*Product Sold Separately

Bezel Compatibility Chart

Fixed Bezel for iCan75*		
Fixed	Polar White	AFD75BZ/F/WH
	Polished Chrome	AFD75BZ/F/PC
	Satin Nickel	AFD75BZ/F/SN
	Carbon Black	AFD75BZ/F/BLK

IP65 Bezel for iCan75*		
IP65	Polar White	AFD75BZ/IP/WH
	Polished Chrome	AFD75BZ/IP/PC
	Satin Nickel	AFD75BZ/IP/SN
	Carbon Black	AFD75BZ/IP/BLK

Adjustable Bezel for iCan75*		
Adjustable	Polar White	AFD75BZ/A/WH
	Polished Chrome	AFD75BZ/A/PC
	Satin Nickel	AFD75BZ/A/SN
	Carbon Black	AFD75BZ/A/BLK



PLEASE ALLOW ADEQUATE TIME FOR DRIVERS TO DISCHARGE DO NOT CONNECT/DISCONNECT THE LUMINAIRES TO ANY DC CIRCUIT WHEN THERE IS ANY CURRENT/VOLTAGE OUTPUT ON THE DRIVER PLEASE REFER TO THE RELEVANT POWER SUPPLY INSTRUCTIONS FOR DETAILS.