

Safety

- Do not cover the ground contact.
- Do not cover the luminaire, hang or fasten anything from it.
- Do not operate if any visible damage can be seen to the product.
- Do not operate if any water ingress has occurred.
- Do not operate if any smoke, steam or crackling noises can be heard from the luminaire.
- Do not operate if any signs of overheating are recognised.
- Avoid installation in any areas where there is a risk of strong mechanical loads.
- Do not place any material over the lens or LED diode/chip.
- Do not insert objects into the luminaire.
- Do not clean using any solvent based abrasive or aggressive product.
- Do not pull any cables connected to the product.
- Do not direct the luminaire into a persons eyes, as this unit may have an intense light output, which if incorrectly used may cause eye damage.
- Light engines/LED'S and other light sources may heat up, please take care when handling the products.
- The manufacturer will not be deemed liable or held responsible for any damages caused by faults or manufacturing defects that may be present in any of its products or the misuse or incorrect installation of this device. Please refer to our trouble shooting guide for further information.
- The manufacturer will not be held liable for any death(s) or injuries caused by misuse or poor installation or any unreported faults of this product version or versions thereof.
- LED's are sensitive to electrostatic discharge. Do not touch the surface of the LED module.
- Do not connect to a temporary electricity supply, this may damage the electronics.
- Light fittings with an integrated emergency option are with a separate installation and wiring leaflet. Please refer to this manual for further details. If the manual is unavailable please contact an ALL LED representative for assistance.
- It is strongly recommended that a Residual-Current Device (RCD) is used with this product to minimise the risk of electrocution.
- REPLACE DAMAGED PRODUCT IMMEDIATELY.
- Keep away from children.

Returns & Faulty Items

- If any problem is encountered during or after installation, please call ALL LED technical department to get the problem resolved ASAP.
- Please do not just return the item to the outlet you purchased it from, as you are only entitled to a replacement or refund after the unit has undergone testing and the unit has been confirmed as having a manufacturing defect/fault. Your statutory rights are not affected.
- The manufacturer will not be deemed liable or held responsible for any damages caused by faults or manufacturing defects that may be present in any of its products or the misuse or incorrect installation of this device. Please refer to our trouble shooting guide for further information.
- All installations must be carried out in accordance with this installation guide and user manual.
- All goods are supplied under the terms and conditions of ALL LED LTD, a copy of which may be obtained upon written request.



This product supplied with a limited 3 year guarantee, subject to terms and conditions. The manufacturer will not be deemed liable or held responsible for any damages caused by faults or manufacturing defects that may be present in any of its products or the misuse or incorrect installation of this device. Your statutory rights are not affected.

ALL LED LTD
Unit D1 Braintree Industrial Estate
Braintree Road
Ruislip
HA4 0EJ

www.allledgroup.com
sales@allledgroup.com
Tel: +44 (0)208 841 9000



Environmental Protection
Waste electrical products should not be disposed of with household waste. Please recycle where facilities exist. Check with your Local Authority or retailer for recycling advice



INSTALLATION GUIDE AMKR044AL Range



ENSURE POWER SUPPLY IS OFF WHEN HANDLING ANY ELECTRICAL EQUIPMENT.

This product may need to be installed by a qualified electrical installer. Please read this guide in its entirety to fully understand the products before attempting any install.

All electrical work should be completed in accordance with the latest IET regulations, and/ or any other relevant rules, regulations or laws of the country in which it is being installed. The item must be installed in isolation from any insulating material and is adequately ventilated to prevent premature failure.

Ensure power supply is isolated prior to installation, maintenance or performing any other form of electrical work.

In the event of incorrect or improper function with specific regard to any of ALL LED'S products and contact ALL LED for further advice.

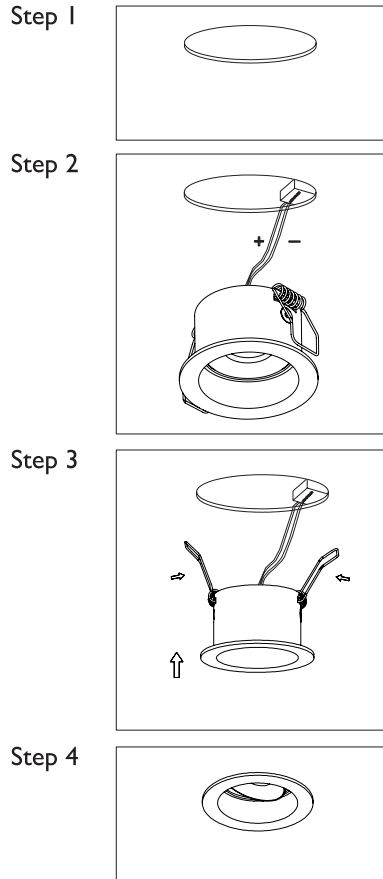
SAFETY WARNING

- ENSURE THE PROTECTIVE PLASTIC PLATE LOCATED ONTOP OF THE LED'S IS NEVER REMOVED OR TAMPERED WITH.**
- IF THERE IS ANY VISIBLE DAMAGE TO THIS ITEM, PLEASE ENSURE THAT THE POWER IS SWITCHED OFF AND REMAINS OFF.**
- DO NOT TOUCH THE LED CHIPS AT ANY POINT DURING, OR AFTER INSTALLATION OF THE LUMINAIRE AS THERE IS RISK OF ELECTRICAL SHOCK.**

Technical Specifications

Product Code	AMKR044AL/30	AMKR044AL/40
CCT	3000K	4000K
Wattage	3W	3W
Lumens	210lm	230lm
Beam Angle	20°	20°
CRI/RA	>90	>90
Lifetime	50000 hr	50000 hr
Operating Temperature	-20 ~ +45°C	-20 ~ +45°C
Voltage	9V	9V
Switching Cycles	50,000	50,000
SDCM	<6	<6
Overall Diameter	ø52mm	ø52mm
Cutout Diameter	ø43mm	ø43mm
Guarantee	5years	5years
IP	IP44	IP44
Operating Current	350mA	350mA
Max Tilt Angle	25°	25°
Baffle Depth	12mm	12mm

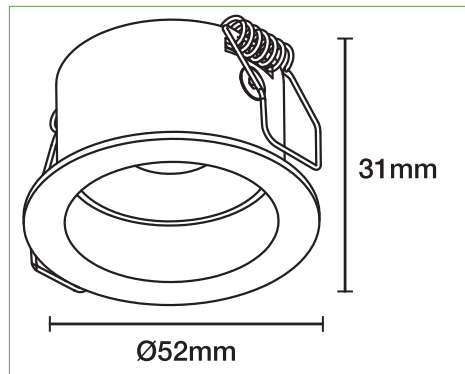
Installation



1. The installation must be done by competent electricians.
2. Product can not be modified.
3. Make sure the power has been switched off before installation.
4. The product is a class III luminaire and shall be connected with a constant current driver according to the specifications in the above sheet.
5. When connecting more than one fixture, these are connecting in series, from plus to minus.
6. The connection of the luminaire, should be stranded with 0.5mm -1.5mm conductor.
7. The specification for the driver means determines on the voltage and the maximum number of luminaires per loop.
8. Power should never be regulated on the secondary side.
9. See the installations on the image below.

Dimensions (mm)

Cutout : Ø43mm
 Overall : Ø52mm
 Depth : 31mm



Trouble Shooting Guide

PROBLEM	CAUSE(S)	SOLUTION(S)
No Light Output From LED's	No power to drive components	A qualified installer/electrician should check the voltage side of the product to check the input voltage.
	Loose connection on circuit	Ensure continuous and correct connection between terminals.
	Overvoltage may have caused damage to the sensitive components	These cases are rare and the item may need replacement and/or investigation as to the cause of failure.
LED's Flashing	Incorrect voltage range being used	Please ensure there is a regulated AC voltage supply within the parameters of the luminaire. Failure to do so will void the warranty.
	LED driver may be connected to a mains dimmer switch	Please remove the dimmer switch and wire the unit to a switch, removing any mains dimmers or other dimmers on the primary side. Use of this product on a dimmer will void the warranty.
	Loose connection on circuit.	Ensure continuous and correct connection between terminals.



ATTENTION

IF ANY PROBLEMS PERSIST, PLEASE CALL THE ALL LED TECHNICAL DEPARTMENT FOR FURTHER ASSISTANCE.