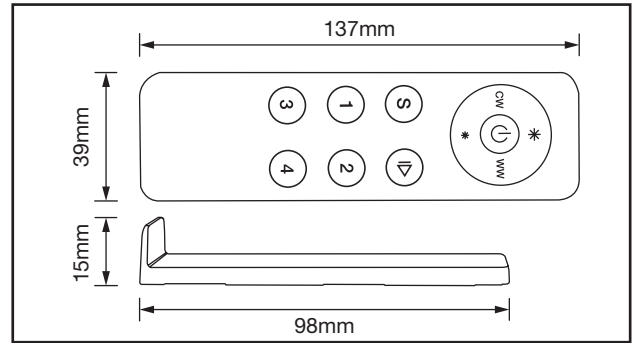


ASC/WIFI/RMT/CCT

CCT Tunable LED Remote Controller
For Use With ASC/WIFI/REC

PRODUCT FEATURES

- CCT LED Remote Controller
- Up To 8 Remote Controls Can Be Paired With Receiver
- 4 Zones
- Choose From Warm White, Cool White Or Daylight
- For Use With AST010/CCT, AST010IP/CCT
- Supplied With Magnetic & Polymer Base



TECHNICAL SPECIFICATIONS

PRODUCT CODE	ASC/WIFI/RMT/CCT
Output	RF Signal
Operation Frequency	868/ 915/ 434MHz
Power Supply	3V (1x CR2025 battery)
Operating Temperature	0-40°C
Range	30m Uninterrupted
Dimensions	137 x 39 x 11mm



Search
'All LED'

