

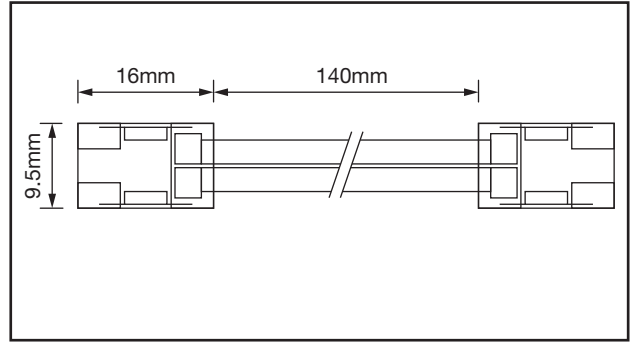
## ASCC/COB8/2CAB

Double Ended Connector For COB LED Strip, 8mm PCB IP20

SEAMLESS™

### PRODUCT FEATURES

- High Strength Polycarbonate Design
- Manufactured From Clear Optical Polycarbonate To allow Maximum Light Transmission
- Self Puncturing Electrical Connections
- Faster Than Soldering
- Fits In Aluminium Profiles
- Suitable For 8mm PCBs



### TECHNICAL SPECIFICATIONS

PRODUCT CODE	ASCC/COB8/2CAB
Circuit Board Suitability	8mm
Strip Compatibility	AST010/COB / AST09L/COB
Ingress Protection	IP20
Maximum Load	80W
Overall Length	150mm

