

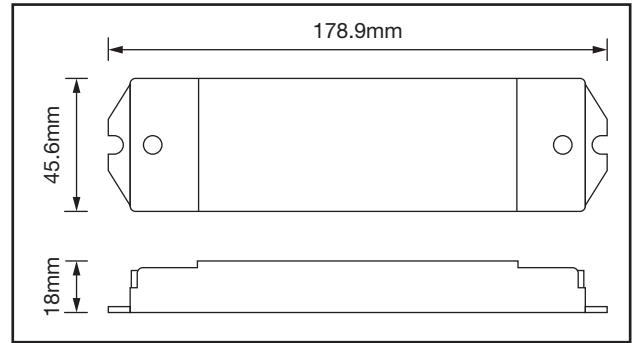
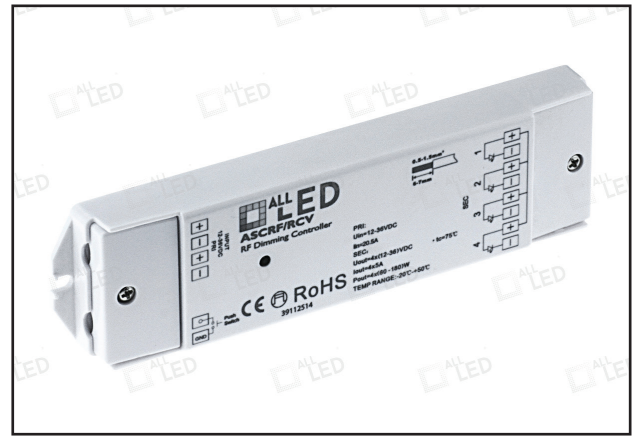
ASCRF/RCV

Wireless LED Strip Dimming Unit

RF-StripDIM

PRODUCT FEATURES

- Easy Pairing
- RF & PWM Dimming Control
- 1-100% Dimming Range
- Compatible With 12v & 24v LED Strip
- (4x60w At 12v / 4x120w At 24v)
- Smooth Dimming
- Polycarbonate Housing
- Up To 8 Paired Controllers



TECHNICAL SPECIFICATIONS

PRODUCT CODE	ASCRF/RCV
Power Input Range	12-36VDC
Max Operating Distance	20m (Open Area)
Maximum Load (Output)	4x 5A
Signal Type	RF & PWM
Ingress Protection	IP20
Operating Temperature	-10°C~+50°C

